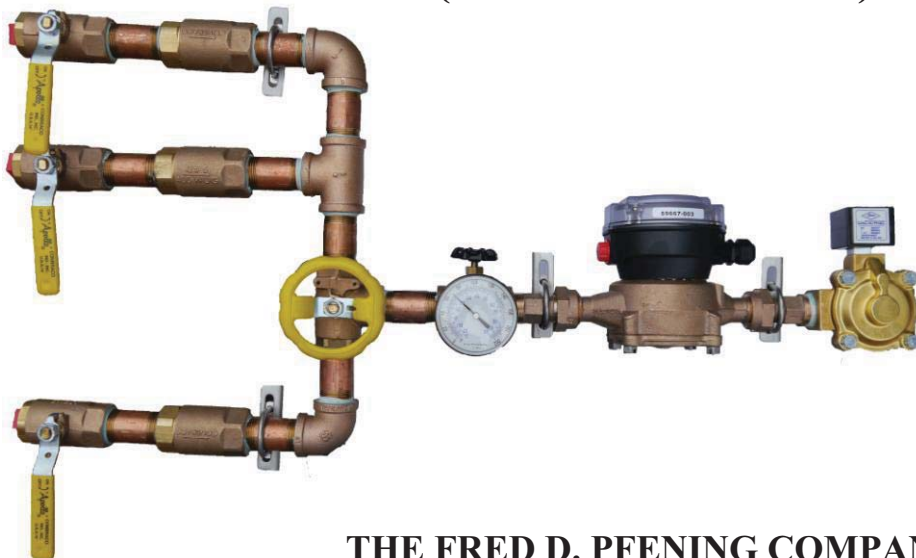




# Wat-a-mat

**Installation Instructions  
and  
Service Manual**

**Mark II Water Meter  
With Model K2 Controller  
(No Automatic Blender)**



**THE FRED D. PFENING COMPANY  
1075 W FIFTH AVE.  
COLUMBUS, OHIO 43212  
Phone: 614-294-5361  
Fax: 614-294-1633**

## TABLE OF CONTENTS

<b>General .....</b>	<b>3</b>
<b>Installation .....</b>	<b>3</b>
<b>Operation .....</b>	<b>8</b>
<b>Batch, Total, &amp; Rate Displays .....</b>	<b>11</b>
<b>Alarms .....</b>	<b>12</b>
<b>Programming .....</b>	<b>13</b>
<b>Advanced Programming .....</b>	<b>16</b>
<b>Calibration Mode .....</b>	<b>18</b>
<b>Maintenance Mode .....</b>	<b>20</b>
<b>Zero Crossing Parameter .....</b>	<b>21</b>
<b>Troubleshooting .....</b>	<b>22</b>
<b>Tables .....</b>	<b>24</b>
<b>Parts Lists &amp; Drawings .....</b>	<b>27</b>



## GENERAL

The Pfening Mark II is the most advanced and reliable flow meter available on the market today. The meter itself has a rugged, precision cast bronze housing with a synthetic polymer metering chamber with only two moving parts.

Water flows through the meter's strainer and into the metering chamber where it drives the piston, which oscillates around the central hub. The piston rotates the drive dog and magnet. An electronic Hall Effect switch detects the motion of the magnet and generates pulses which are sent to the Model K2 Controller. Each pulse represents a fraction of a pound of water. The controller keeps a running total of pounds of water and displays the total as a whole number. When the preset total is reached, the controller automatically closes the flow solenoid valve, stopping the flow of water.

The Model K2 liquid meter controller is a microprocessor-based unit that uses the latest electronic hardware and software developments to provide user-friendly, accurate, and reliable control. It uses advanced logic to provide manual and pre-set setpoints, which are easy to access and adjust. The Model K2 controller includes sophisticated control logic to provide fully automatic water temperature control in conjunction with the optional Pfening Automatic Temperature Blender.

Manual temperature blender assemblies are also available for this flow meter. Manual temperature blending is achieved with either a two-way or three-way manual blender. Each blender has a thermometer and a bypass valve so that water can be run to set the temperature before water is run through the meter to the mixer. A different service manual is provided with automatic blenders.

## INSTALLATION

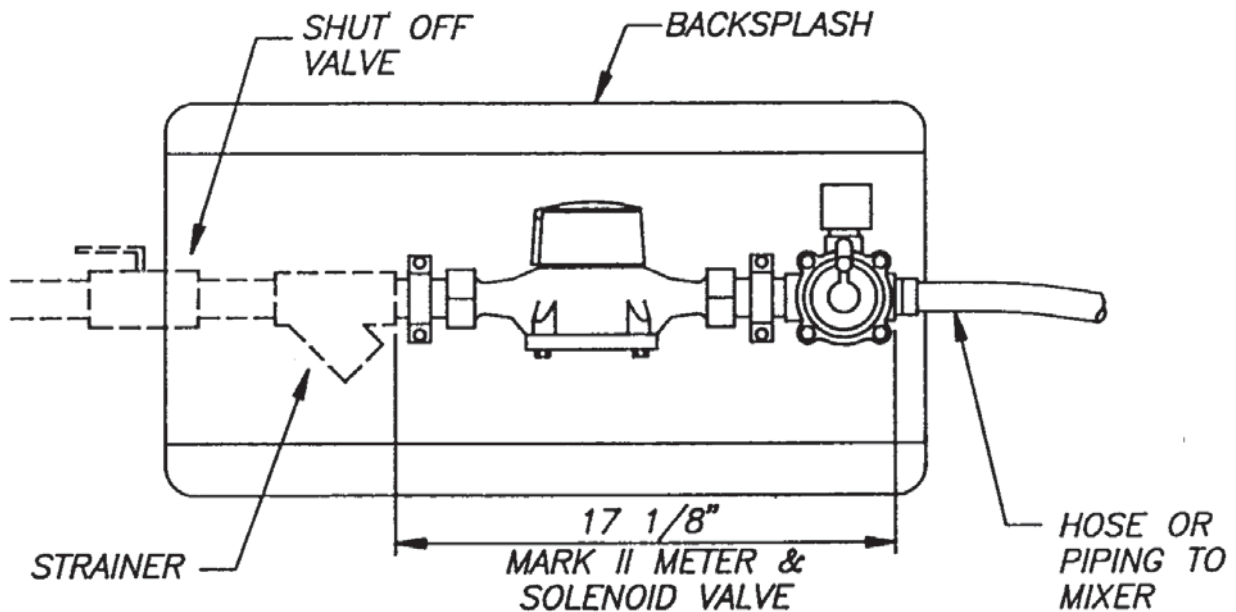
Install your new meter assembly in accordance with Figure 1, 2, or 3, whichever applies. Wire the controller and solenoid valve in accordance with Figures 4 and 5. Mount the Model K2 Controller box in a place convenient for the operator, avoiding excessively wet locations. The Model K2 controller can be mounted remotely, up to 100' from the water meter. Also avoid locations subject to vibration, such as the side of a mixer. Also, observe the following information for any of these installations:

1. Use a receptacle (120 volt single phase) of the grounding type and ground properly before using the meter.
2. Water is to flow through the meter and solenoid valve in one direction only. A cast arrow indicates flow direction. Mount the meter and solenoid valve in a horizontal line with the head of the meter and the head of the solenoid valve upright as shown in the figures.
3. A strainer with 30 mesh (.02" screens opening) ahead of the meter is recommended. This protects the meter and solenoid valve from foreign particles. If a three-way blender is being used, a separate strainer will not be necessary as this blender has a built in strainer.
4. If a blender is being used, place a check valve in each of the lower pressure water lines (usually the hot water and/or ice water lines). This is to prevent water from the highest pressure line



backing up into the lower pressure lines. To secure accurate blending results, all water supplies should be within 10 psi of the same pressure when the water is flowing through the meter. Pressure regulators in each line or a booster pump on the lowest pressure line may be necessary if there is a wide pressure differential between the lines. You can tell if you have balanced pressure by checking the rate of water flow from each line individually through the meter. When the rates are the same, the pressures are balanced.

5. The maximum static pressure to which the meter is to be exposed is 100 psi. The flow rate should be not less than 100 lbs. of water per minute and not more than 200 lbs. per minute, (11 to 25 gals. per minute). Water temperature may be from 32 °F to 150 °F.
6. It is recommended that 1" pipelines be used before and after the meter. A larger size may be necessary if the run is long or complicated by many valves or elbows. If the pressure drop is not sufficient to restrict the flow to less than 200 lbs. of water per minute, a regulator must be placed in the line ahead of the meter. If a blender is being used, it will be necessary to have a regulator in each inlet line to the blender, which can produce in excess of 200 lbs. of water per minute. A pressure drop restricting the flow to less than 100 lbs. of water per minute indicates an inadequate pipe size. See Table 1, "Piping & Pressure Calculations," further on in this booklet, which shows how to estimate your pressure losses and flow rates before making the installation.



**FIG. 1 MARK II METER ONLY**



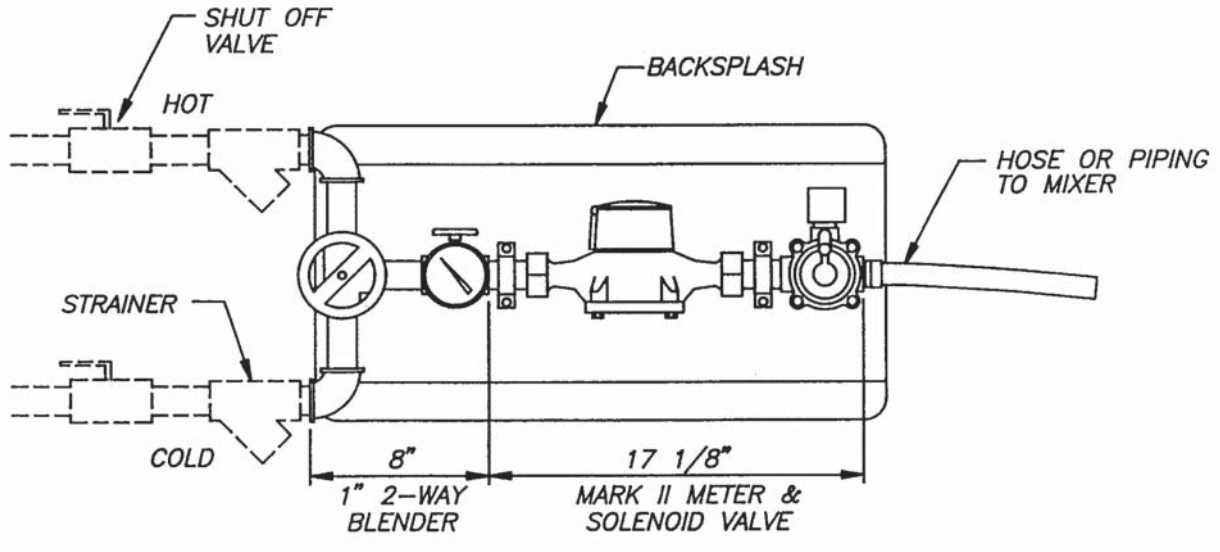


FIG. 2 MARK II METER & 2-WAY MANUAL BLENDER

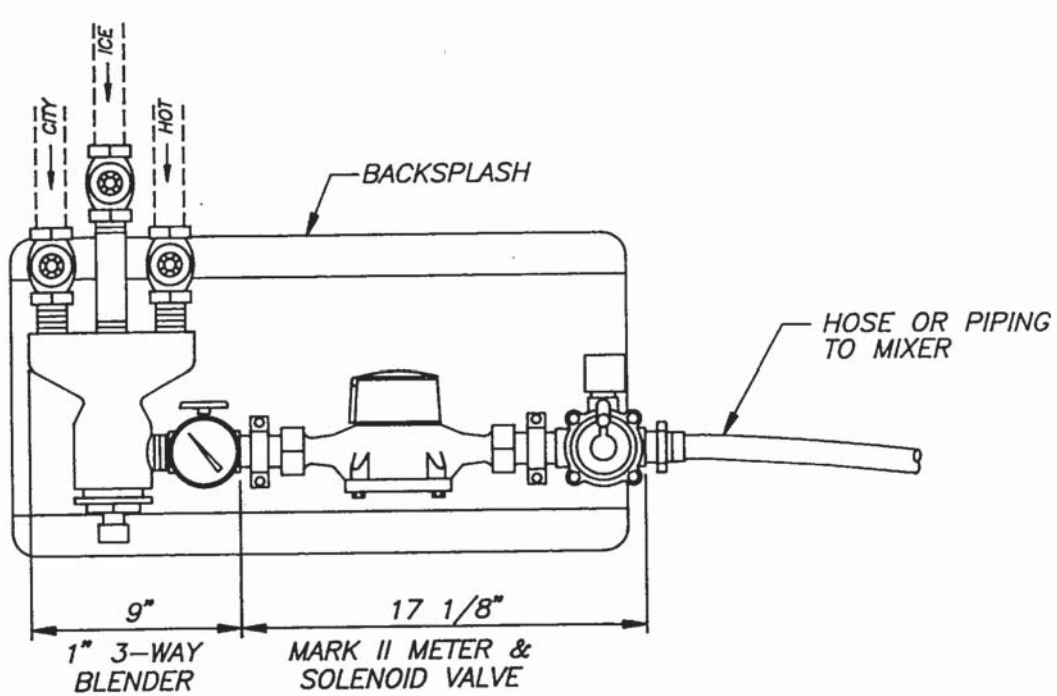
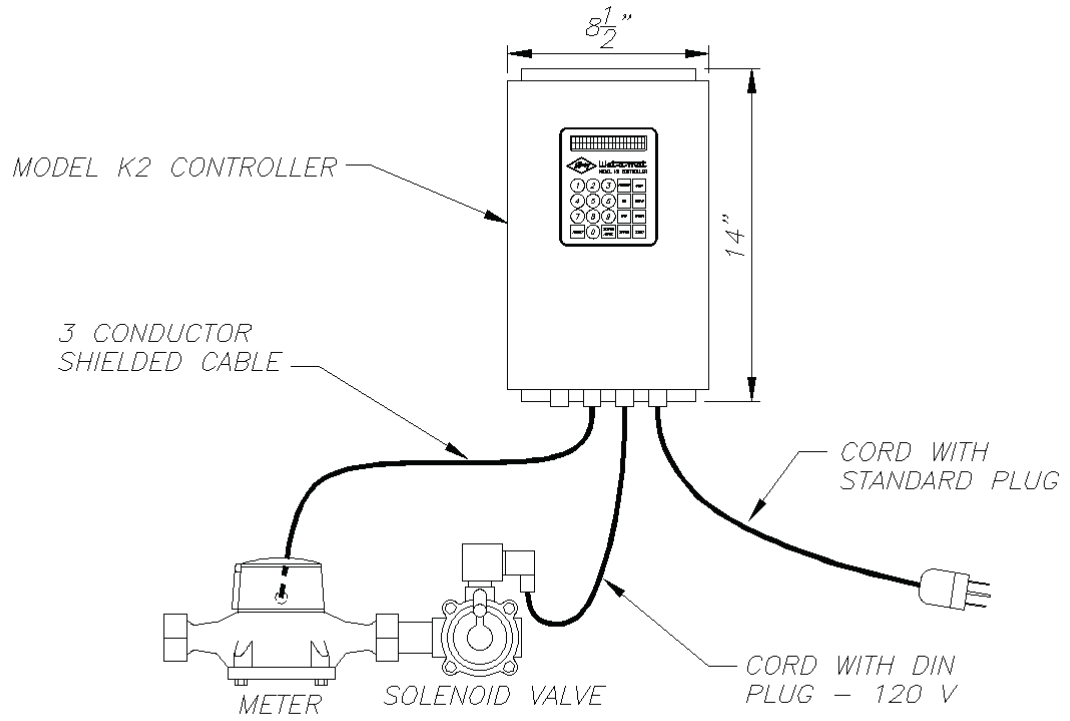


FIG. 3 MARK II WITH 3-WAY MANUAL BLENDER





**FIG. 4 CABLE IDENTIFICATION**



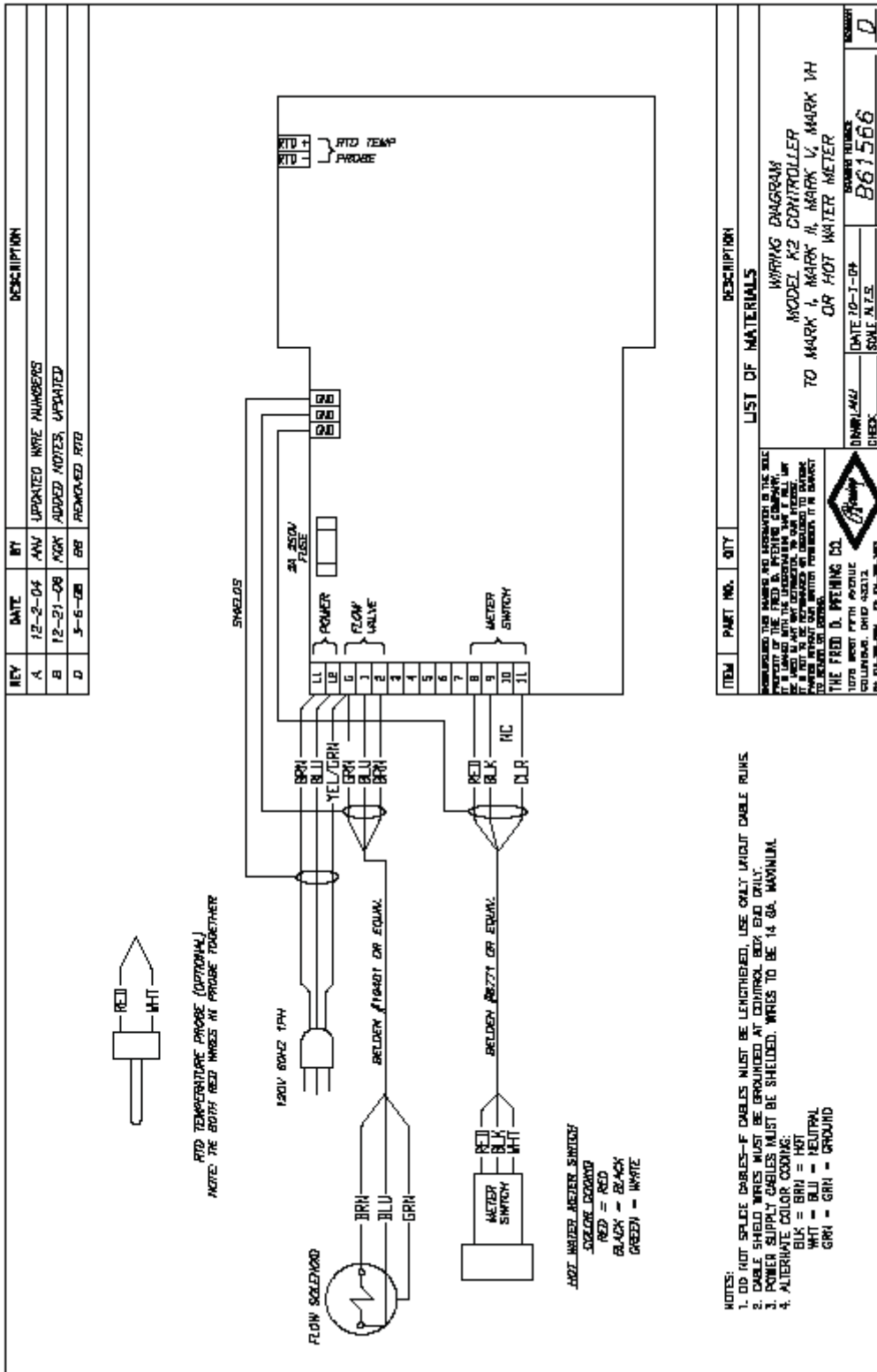


FIG. 5 WIRING DIAGRAM



## OPERATION

The auto blender assembly is equipped with a Model K2 controller, which has been programmed and calibrated at the factory. A non-volatile memory ensures that program settings will not be lost if power is interrupted. The display has four lines of text; the top two lines usually display operating information while the bottom two lines display operator instructions.



**FIG. 6 KEYPAD AND DISPLAY**

The controller settings may be changed by the operator. Figure 6 shows the operator keypad and display. See pages 13-20 for programming and calibration procedures.





## Powering Up the Controller

When the Model K2 controller is first powered up, the display will show:

PFENING K2	V1.01
MARKII:	WATER-LB

The top line shows the software version and the second line shows a summary of the current programming.

## Running a Manual Batch

Once the autoblender assembly and Model K2 controller are installed and power is applied, then display should appear as shown:

ACTUAL	0 LB
MANUAL	60 LB
Push START to run	

The actual amount of the last batch is displayed on the top line. The second line shows the manual setpoint. In this example the manual setpoint is 60 lbs. of water.

To program a batch amount, simply enter the amount using the number keys. If you make a mistake, press CLEAR and start over. If you entered a setpoint of 125 LB, the display will look like this:

ACTUAL	0 LB
MANUAL	125 LB
Push ENTER to save, CLEAR for old value.	

Press ENTER when the amount is correct or press CLEAR to bring back the previous value. The unit will automatically save after five seconds. After the setpoint is saved the display will appear as shown:

ACTUAL	0 LB
MANUAL	125 LB
Push START to run	



To run the batch, press START and the display will show:

ACTUAL	0 LB
MANUAL	125 LB
BATCH STARTED	
Push STOP to abort	

The actual amount of water delivered is shown on the top line. When the actual amount reaches the preset amount, the flow solenoid valve will close.

Press START again to run additional batches of the same size.

### Stopping a Batch

Press STOP at any time to stop a batch. If you stopped a batch at 66 lbs, the display would appear as shown:

ACTUAL	66 LB
MANUAL	125 LB
BATCH STOPPED	
Push START to run	

Pressing START will restart the batch where it left off. Pressing CLEAR will reset it to zero.

### Using the Presets

The controller will store up to five setpoints. Press the PRESET key to see SETPT1. Press PRESET again to see SETPT2. Press PRESET a third time to see SETPT3, and so on. To run a batch using a preset, simply press PRESET until the correct setpoint is shown. For example, if you want to run SETPT2, which is 45 LB, the display would appear as shown:

ACTUAL	0 LB
SETPT2	45 LB
Push NO for new Value, START to run	

See below for directions about how to change the presets. After five seconds the display will revert to:

ACTUAL	0 LB
SETPT2	45 LB
Push START to run	

To run the batch, press START.



## Changing the Presets

To change the preset weight, press NO. The display will show:

```

ENTER AMOUNT
SETPT2      67 LB
Push ENTER to save,
CLEAR for old value.
  
```

Use the number keys to enter the desired water amount, then press ENTER. Press CLEAR to go back to the old value. The unit will automatically save after five seconds.

## BATCH, TOTAL, AND RATE DISPLAYS

To see the total number of batches ran, press TOTALS. The display will appear as shown:

```

BATCH COUNT
44 BATCH
Push CLEAR to reset
  
```

This display says that 44 batches have been run since the last time the count was reset to zero. The display will revert back to the normal display in three seconds. To reset the batch count to zero, hold in the CLEAR button for three seconds. The batch count will flash 3 times and then reset.

Press TOTALS a second time to see the total amount of liquid ran. The display will appear as shown:

```

TOTAL AMOUNT
1278 LBS
Push CLEAR to reset
  
```

This display says that 1278 lbs. of liquid have been run since the last time the count was reset to zero. To reset the total amount, hold in the CLEAR button for three seconds. The total amount will flash 3 times and then reset.

To see the rate, at which liquid is flowing through the meter, press TOTALS while the liquid is flowing. The display will appear as shown:

```

FLOW RATE
166 LB/MIN
  
```



This says that the rate of liquid flow is 166 lbs. per minute. This display will read zero if no liquid is flowing.

## ALARMS

If the START button is pressed, but the controller receives no count input for seven seconds, the solenoid is automatically closed and the display shows:

NO FLOW DETECTED	
SETPT2	45 LB
Automatic Shutoff	
Push CLEAR to reset	

This is intended to prevent overfilling of the mixer when the valve is open, but no pulses are reaching the controller. Correct the problem before attempting to run. See the troubleshooting section on page 22. Press CLEAR to reset the alarm.

If the actual count of liquid goes over the setpoint amount, the display will show:

ACTUAL	52 LB
SETPT2	45 LB
**OVERFLOW detected*	
Push CLEAR to reset	

Press CLEAR to reset the alarm. The display will show the actual amount of liquid delivered.

The overflow alarm will also be shown when pulses reach the controller when none should. For instance, if the shutoff valve is leaking and water is dribbling through the meter, the overflow alarm will be shown. Correct the problem and press CLEAR to clear the alarm.

If someone attempts to enter a zero setpoint, the zero setpoint alarm will come up, as follows:

ACTUAL	0 LB
MANUAL	0 LB
ZERO SETPOINT ERROR	
Enter setpoint value	

Use the number keys to enter a setpoint.



## PROGRAMMING

Current programming: Upon power-up, the controller screen looks like this for three seconds:

```
PFENING K2   V1.01
MARKII:  WATER-LB
```

The upper line shows the software version number. The lower line shows a summary of the current programming. In this example, the controller is programmed for a Mark II water meter, in lbs.

Controller programming: The controller has been programmed at the factory and reprogramming should not be necessary. If you have a problem, work through the troubleshooting section on page 22 before changing the programming. If you suspect that the programming has been changed, the original factory programming may be restored as described below.

Numeric code: To use this method, a six-digit number is created using Table 2 on page 25. Work through this and write down the number. Then unplug the controller for 10 seconds, then hold in the 5 key, and plug the unit back in with the 5 key held in. The controller will show this:

```
Enter six digit
programming code:
    0
Push ENTER when done
```

If you enter an invalid code, the screen will show:

```
CODE ERROR
Must be from 111111
to 433424. EXIT to
exit, CLEAR to retry
```

### Program Mode

Programming is done through the keypad. To enter the program mode, first make sure the meter is stopped (press STOP if necessary), then press the PROGRAM key. The display will show:

```
. . PROGRAM MODE. .
  PASSWORD
To enter Program
Mode, enter PASSWORD
```



The password is **5354**. Use the keyboard to enter the password. The numbers will not be displayed on the screen. Press ENTER. If you enter the password wrong, it will ask you to try again. If you have entered it correctly, the display will appear as shown:

```

.. PROGRAM MODE..
PROGRAM UNIT
NO for choice, ENTER
to select, or EXIT

```

At this point you can continue into the program mode by pressing ENTER or else press NO for access to the CALIBRATION MODE or MAINTENANCE MODE. Calibration and maintenance modes are discussed on pages 18-20 respectively. Press ENTER to continue into the PROGRAM MODE.

```

.. PROGRAM MODE..
SELECT UNITS      LB
NO for choice, ENTER
to select, or EXIT

```

To leave the programming mode at any time, press EXIT. The controller will save any changes made up to that point. To view the programming choices, press the NO key. In this case, the units can be LB (pounds), KG (kilograms), LT (liters), or GA (gallons). When the correct units are displayed, press ENTER to advance to the next step. The display will look like this.

```

.. PROGRAM MODE..
SELECT DEC PT  000.0
NO for choice, ENTER
to select, or EXIT

```

Press NO to see the choices available, which is none, one, two, or three decimal places. Please note that displaying more decimal places does not make the meter more accurate and may be misleading. When the correct number of decimal point places is displayed, press ENTER to advance to the next step. The display will look like this.

Note: If you want to go back, press PROGRAM to go back to the first step, press ENTER to go forward.

```

.. PROGRAM MODE..
SELECT LIQUID- WATER
NO for choice, ENTER
to select, or EXIT

```

Use the NO key to see the choices, which are water, oil, and sugar (liquid sugar). When one of these is chosen, the controller will automatically adjust the scale factor for the density of the liquid being metered. Press ENTER when the correct liquid is displayed. The display will go to the next step and the display will look like this:



```

.. PROGRAM MODE..
NO FLOW ALARM -   ON
NO for choice, ENTER
to select, or EXIT

```

Use the NO key to turn the no flow alarm on or off. In general, we recommend that it be ON at all times. The no flow alarm shuts off the liquid flow if no pulses are being received at the controller when the valve is open. Press ENTER to advance to the next step and the display will look like this:

```

.. PROGRAM MODE..
TEMPERATURE OFF
NO for choice, ENTER
to select, or EXIT

```

There are three possible settings for the temperature control: ON, OFF, and DISPLAY ONLY. This setting should be set to OFF, unless you have a RTD temperature probe, in which case, set this setting to DISPLAY ONLY. If you have an automatic temperature blender please refer to the automatic temperature blender manual. If DISPLAY ONLY was chosen the unit will show:

```

.. PROGRAM MODE..
SELECT TEMP UNITS_°F
NO for choice, ENTER
to select, or EXIT

```

The units may be °F or °C. Press NO to make changes and ENTER to choose. The display will look like this:

```

.. PROGRAM MODE..
END BASIC PROGRAM?
Push ENTER to end,
NO for Adv Program

```

This screen allows you to either complete the basic unit programming or enter the advanced programming section. The basic unit programming is all that most users will need. The advanced programming section allows you to manually change the numeric values in the program. This should only be attempted by qualified personnel.

To complete the basic programming, press ENTER. The screen will look like this.

```

.. PROGRAM MODE..
SELECT METER-MARK II
NO for choice, ENTER
to select, or EXIT

```



Use the NO key to select which meter you have. A quick identification guide is:

- Mark I has ¾” pipe connections and is natural brass finish
- Mark II has 1” pipe connections and has a silver finish
- Mark V has 1 ½” clamp connections and is stainless steel
- HW (Hot Water) meter has clear plastic top.

Press ENTER when the display shows the correct meter. The controller will select the scale factor, which is correct for your meter. The controller will save the data and after five seconds the display will revert to the display that was present before entering the program mode.

## ADVANCED PROGRAMMING

To enter the advanced programming mode, when the display shows:

```

.. PROGRAM MODE..
END BASIC PROGRAM?
Push ENTER to end,
NO for Adv Program

```

Press NO and the display will change to:

```

.. ADV PROGRAM MODE..
ADVANCED PROGRAM
ENTER for Adv Prog
EXIT to abort Prog

```

Press ENTER to enter the advanced programming mode. The display will look like this:

```

.. ADV PROGRAM MODE..
SCALER      0.12890

Key in a new value.

```

The number 0.12890 is an example only; it may be different for your meter. See Table 3 on page 26 for factory programmed values.

The SCALER is the amount of liquid metered for each change of state of the pickup switch in the water flow meter. The controller counts both the rise and fall of each pulse, so there are two changes of state for each pulse. Use the numeric keys to enter the scaler you wish. The maximum value of the scaler is 99.99999. If you are calibrating a meter, read the Calibration section on page 18. If you make a mistake, key in zeroes until the display is cleared, then start over. When the correct value is displayed, press ENTER to advance to the next step. The display will show:





```

.. ADV PROGRAM MODE..
PREACT AUTO    0.520
NO for choice, ENTER
to select, or EXIT

```

The PREACT is the amount of liquid which passes through the valve between the time the coil is de-energized and the when the valve actually closes. There are two methods available: a fixed value and an automatic preact in which the controller continuously monitors the overshoot and uses 10% of the overshoot to correct the preact for the next batch. Most users should choose the automatic preact. The factory preact values are shown in Table 3 on page 26. To change the fixed preact, use the numeric keys, then press ENTER.

To select the automatic preact, press NO then ENTER to advance to the next step. The display will look like this:

```

.. ADV PROGRAM MODE..
NO OF ACTIVE SETPT 6
NO for choice, ENTER
to select, or EXIT

```

The number of active setpoints may be from one to six. Press NO to change the number. If set at one, only the MANUAL setpoint is available. If set at two, the MANUAL setpoint plus 1 PRESET is available, and so so on. When set at six, the MANUAL setpoint plus all five PRESETS are active. This feature is provided so that if only some of the PRESETS are in use, the others may be turned off so they do not confuse the operator. Press ENTER when the display shows the correct number of presets. The display will show:

```

.. PROGRAM MODE..
PROGRAM UNIT
NO for choice, ENTER
to select, or EXIT

```

If you are finished programming, press EXIT and the display will show:

```

SAVING
PROGRAM IN MEMORY

Please wait!

```

The controller saves the data and reverts to the previous display.



## CALIBRATION MODE – AUTOMATIC CALIBRATION

Press the program button and after entering the PASSWORD (see page 14), the user may choose to enter the CALIBRATION MODE. With the screen showing this:

```

.. PROGRAM MODE..
PROGRAM UNIT
NO for choice, ENTER
to select, or EXIT

```

Press NO until the screen shows:

```

.. PROGRAM MODE..
CALIBRATE UNIT
NO for choice, ENTER
to select, or EXIT

```

Press ENTER and the display will show:

```

.. CALIBRATION MODE..
SCALER    0.12890
Push ENTER to cali-
brate, NO to skip.

```

The number 0.12890 is an example – your number may be different. Press ENTER to enter the calibration mode and the unit will show:

```

.. CALIBRATION MODE..
AMOUNT          0
Enter test amount to
run and press ENTER

```

Ideally, the flow meter will be calibrated at approximately the batch size most commonly used. If this is impractical, we suggest a minimum calibration amount of 100 lbs. A container large enough to hold the batch amount and a scale for weighing it are required. Water weights 8.35 lbs/gal. For example, if you entered 100 lbs and pressed ENTER, the display will show:

```

.. CALIBRATION MODE..
AMOUNT          100
Push START if catch
bucket in place.

```



Press START and water will run until the test amount is metered out. The display will then show:

```

. . CALIBRATION MODE. .
ACTUAL          0
Weigh test amt, key
in wt, press ENTER
  
```

If the 100 lb test batch actually weighs 102 lbs, key in 102 and the display will show:

```

. . CALIBRATION MODE. .
ACTUAL          102
Weigh test amt, key
In Wt, press ENTER
  
```

Next, press ENTER and the controller will automatically calculate a new scaler and display as follows:

```

. . CALIBRATION MODE. .
OLD SCALER      0.12890
NEW SCALER      0.13148
Push ENTER to accept
  
```

Press ENTER to accept the new scaler, NO to revert to the old value. Press EXIT to exit setup.

### Manual Calibration

The meter is factory calibrated and should require no adjustments for many years. However, should calibration be necessary, the following procedure may be followed:

1. Obtain a scale and a container capable of holding at least 100 lbs. of water.
2. Weigh the empty container and record the weight.
3. Set the meter for 100 lbs. and run the water into the container. Allow the hose to drain.
4. Weigh the container and water, then subtract out the weight of the container.
5. Calculate an adjustment factor:

$$\frac{\text{Actual Weight of water}}{100 \text{ lbs.}} = \text{Factor}$$

$$\text{i.e. If actual Weight of water is 102 lbs, then } \frac{102 \text{ lbs.}}{100 \text{ lbs.}} = 1.02$$

6. Go to the programming section on pages 13-17. Follow the instructions (including entering advanced programming) and find the scaler.
7. Multiply the scaler by the factor found above.

$$\text{New Scaler} = \text{Old Scaler} \times \text{factor}$$

$$\text{i.e. If the old scaler is 0.12890 and the factor is 1.02, then:}$$



$$0.12890 \times 1.02 = 0.13148$$

8. Enter the new scaler and press EXIT to return to the normal display.
9. Note: If the adjustment to the scaler is more than five percent, there is a serious problem with the meter. See the “Not Metering Accurately” in the troubleshooting section on page 22.

## MAINTENANCE MODE

After entering the PASSWORD (see page 14), the user may choose to enter the MAINTENANCE MODE. With the screen showing this:

```

.. PROGRAM MODE..
PROGRAM UNIT
NO for choice, ENTER
to select, or EXIT

```

Press NO until the screen shows:

```

.. PROGRAM MODE..
MAINTENANCE MODE
NO for choice, ENTER
to select, or EXIT

```

Calibration is discussed on page 18. Press ENTER to continue into the MAINTENANCE MODE. The screen will show:

```

----ACTUAL      0 LB
POT VOLTAGE     0.54
BLNDR POSITION    39°
BLNDR SETTING=MANUAL

```

The displayed values are:

1. Top line: actual volume of liquid drawn.
2. Second line: position potentiometer voltage reading.
3. Third line: blender valve angular position.
4. Bottom line: blender valve setting – use NO to toggle between MANUAL, BLEND, HOT, CITY and ICE.

(Note: Automatic blending unit is required for items 2 through 4. See automatic blender manual.)

Maintenance controls are provided to easily test the flow valve. Press START to open and STOP to close.



## ZERO CROSSING PARAMETER

After entering the PASSWORD (see page 14), the user may choose to change the zero crossing parameter. With the screen showing this:

```

.. PROGRAM MODE..
PROGRAM UNIT
NO for choice, ENTER
to select, or EXIT

```

Press NO until the screen shows:

```

.. PROGRAM MODE..
MAINTENANCE MODE
NO for choice, ENTER
to select, or EXIT

```

Press ENTER to continue into the MAINTENANCE MODE. The screen will show:

```

----ACTUAL      0 LB
POT VOLTAGE     0.54
BLNDR POSITION   39°
BLNDR SETTING=MANUAL

```

Press ENTER to continue to change the zero crossing parameter. The screen will show:

```

ZERO CROSSING
TIME CONSTANT   4
ENTER VALUE   1 to 8

```

In order to reduce wear on the relay contacts, the controller attempts to operate the relay as the AC voltage crosses zero (hence “zero crossing”). In order to do that, it must de-energize the coil 1 to 8 milliseconds early. The default value is 8 ms, but can be changed if necessary.

If you receive a zero crossing error at the end of the draw, change the time constant up or down 2 ms. If this does not correct the zero crossing problem, the circuit board may need to be replaced.

**CAUTION:** Changing this to an erroneous value may cause the unit to stop working.



## TROUBLESHOOTING

### **Water runs, but there is no count:**

Switch is loose: Open the top cover of the meter and make sure that the pick-up switch is tightly held against the top of the meter casing by the retainer plate. Turn the retainer plate counter-clockwise to tighten it down.

Switch wires loose or broken: Check that the wires from the controller to the switch are not broken or loose.

Switch defective: To check for a defective switch, open the top cover of the meter and disconnect the three wires. Touch the black and white wires together rapidly. The counter should count (the count may be very erratic). This shows that the counter is working.

Another way to check switch operation is to remove the switch by turning the retainer plate clockwise. Leave the wires hooked up. Find a small magnet (this must be a loose magnet, not one in a holder, such as a screwdriver handle). Alternately touch the north and south poles of the magnet to the bottom center of the aluminum switch housing. The controller will display 1 LB for about every eight touches of the magnet.

If the switch appears to be defective, open up the controller and check the voltage between terminals 5 V and GND on the back of the controller. It should be 5 VDC. Next, check the voltage between terminals 5V and FCNT. Take the magnet and touch the bottom of the switch, alternating the poles with each touch. It should alternate between 0 and 4.5 VDC. If the switch is defective, install a new one. See page 7 for wiring schematic.

Controller defective: If the controller does not count when the black and white wires are touched, check the voltage between the red and black wires. It should be 5 VDC. If not, check the wires and check that 5 VDC is present between terminals 5V and GND on the back of the controller. If voltage is present, but the unit still does not count, touch a jumper wire between terminals 5V and FCNT. The controller will display 1 LB for about every eight touches of the jumper. If the unit counts, the problem is in the wiring, if not, the problem is in the controller. Replace the controller board. See page 7 for wiring schematic.

Scale factor set near zero: If the meter has been re-calibrated in the field, it is possible for the scale factor to be set very low, which will appear to not register. See page 13 for reprogramming.

Meter internals not moving: To check if the magnet inside the meter is turning when water is flowing, remove the pickup switch by turning the retainer plate counter-clockwise. Get a paper clip and cut a ¼” long piece of wire. Place this wire in the machined recess in the top of the meter housing where the switch rests. The magnet inside will pull the wire into alignment with it. Now turn on the water. If the magnet is turning, the wire will turn with it. If the wire is not turning, open the meter and determine what is preventing rotation. Foreign matter in the meter is the most likely cause. If the meter internals show considerable wear or scoring, replace the internals.



### **The unit is plugged in and power is on, but nothing happens:**

Wiring: Check that all wires on the back of the controller board are firmly connected.

Power: Check that 120VAC power is present at terminals L1 and L2 on the back of the controller.

Fuse: Check that the fuse on the circuit board is not blown. If it is, replace it with 2.0A, 250V fuse.

Controller: If power is supplied to the controller and the fuse is good, but the display is dark or meaningless, the controller board should be replaced.

Solenoid valve: Check to see that the solenoid valve is receiving power when the START button is pushed. If it is getting power but does not open, check the solenoid valve coil. See page 29 for solenoid valve assembly diagram.

### **Not metering accurately:**

Scale factor changed: If the liquid amount is off proportionately the same amount each time, the scale factor may have been changed. See the programming section on page 13.

Meter internals worn: If the scale factor is correct, but a proportional error of more than 5% is present, the meter internal parts may be worn, broken, or improperly installed. Disassemble the meter and inspect. Reassembly should be done on a workbench.

Meter internals heat distorted: The standard meter internals are limited to 150 degrees F operation. If water hotter than this is passed through the meter, the internal parts may become distorted, which will prevent proper operation. Distortion generally causes the meter to run slow, resulting in too much water.

If distortion is suspected, disassemble the meter and remove the metering chamber. The cylindrical sides of the metering chamber should be straight. If a straightedge shows them to be concave, replace the metering chamber. See page 28 for meter assembly diagram.

Additionally, the meter internals should turn freely. A small amount of air blown in the rectangular inlet on the side of the metering chamber should spin the internals, making a characteristic “wuk-wuk-wuk” sound.

### **Water won't shut off at setpoint:**

Solenoid Valve: If the solenoid valve remains open when de-energized, it is stuck open (rapping it will sometimes make it close). Disassemble the valve and clean all the parts. If this does not fix the problem, install a new valve or rebuild the existing one.



**Temperature setting on the Blender is too sensitive. Small setting changes cause big temperature changes:**

This is generally the result of unbalanced water pressure in the lines. Run the unit with ice water only and check the rate in pounds per minute. Run the unit with city water only and check its rate. For good blender control, these rates should be about the same. This may be done with hot water providing it isn't more than 150 degrees F.

Pressure unbalance generally can be corrected by running a large pipe on the lower pressure line back to its source or in the case of ice water increasing the pump pressure. Regulators can also be used to reduce the higher pressure line's flow rates to match the lowest pressure line, but be sure that the resulting pressure doesn't reduce the flow rate to less than 100 lbs. per minute through the meter and solenoid valve.

**Zero Crossing Error:**

This means that the unit is missing the zero crossing. The default value is 8 ms. See page 25 for explanation and setting. In general, this must be set for 7 or 8 ms. Other values may cause the unit to stop working.

**Piping & Pressure Calculations:**

This section will be helpful in determining the pipe size to use or the rate of water flow with a given pipe size.

The pressure drop in the line may be estimated from the following:

Rate of Water Flow		Pressure Drop – PSI						
Lbs/min	Gals./min	Mark II Meter	2 Way Blender	3 Way Blender	Cut-Off Sol. Valve	¾" Pipe Per Ft.	1" Pipe Per Ft.	1 ¼" Pipe Per Ft.
100	12	1.3	1.0	2.0	2	0.19	0.06	0.015
150	18	3.2	2.4	3.5	4	0.40	0.12	0.032
200	24	6.3	4.5	6.0	7	0.70	0.20	0.055
250	30	9.0	6.7	9.0	11	1.0	0.30	0.082

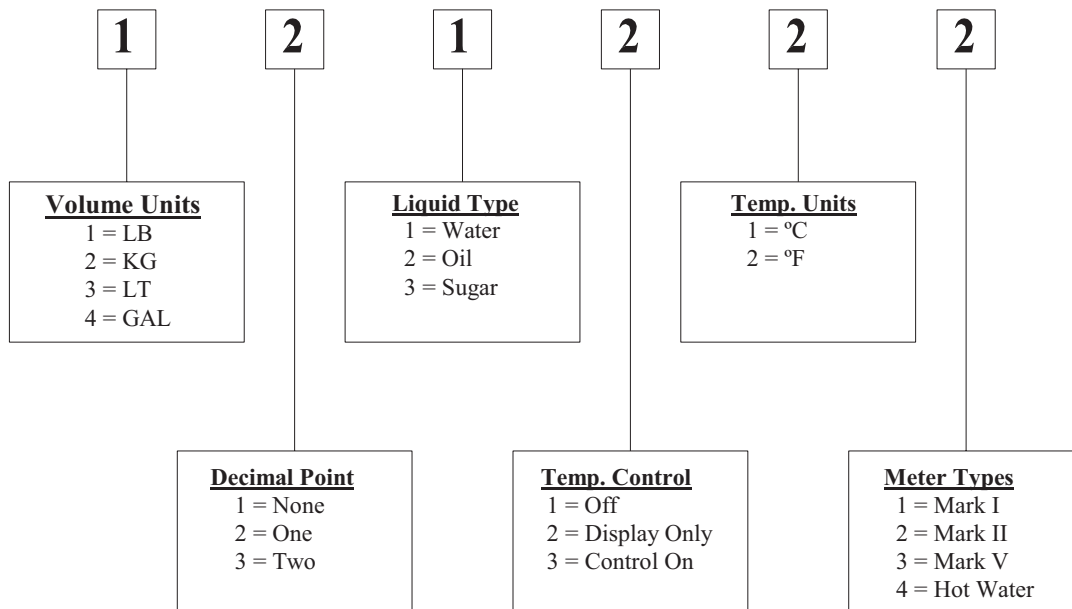




Approximate equivalent lengths in feet of pipe for various fittings:

Fitting	Pipe Size		
	3/4"	1"	1 1/4"
Ball Valve	2	2.5	3
Globe Valve	22	27	38
Elbow	2.2	2.7	3.6
Tee	4.5	5.7	7.5

**Table 1 – Piping & Pressure Calculations**



**Table 2 – Numeric Code**  
(See Page 13 to understand how to use this feature.)

For example, if you have a Mark II water meter, with a 1 decimal point weight accuracy displayed in pounds. The code that should be entered is 121222.



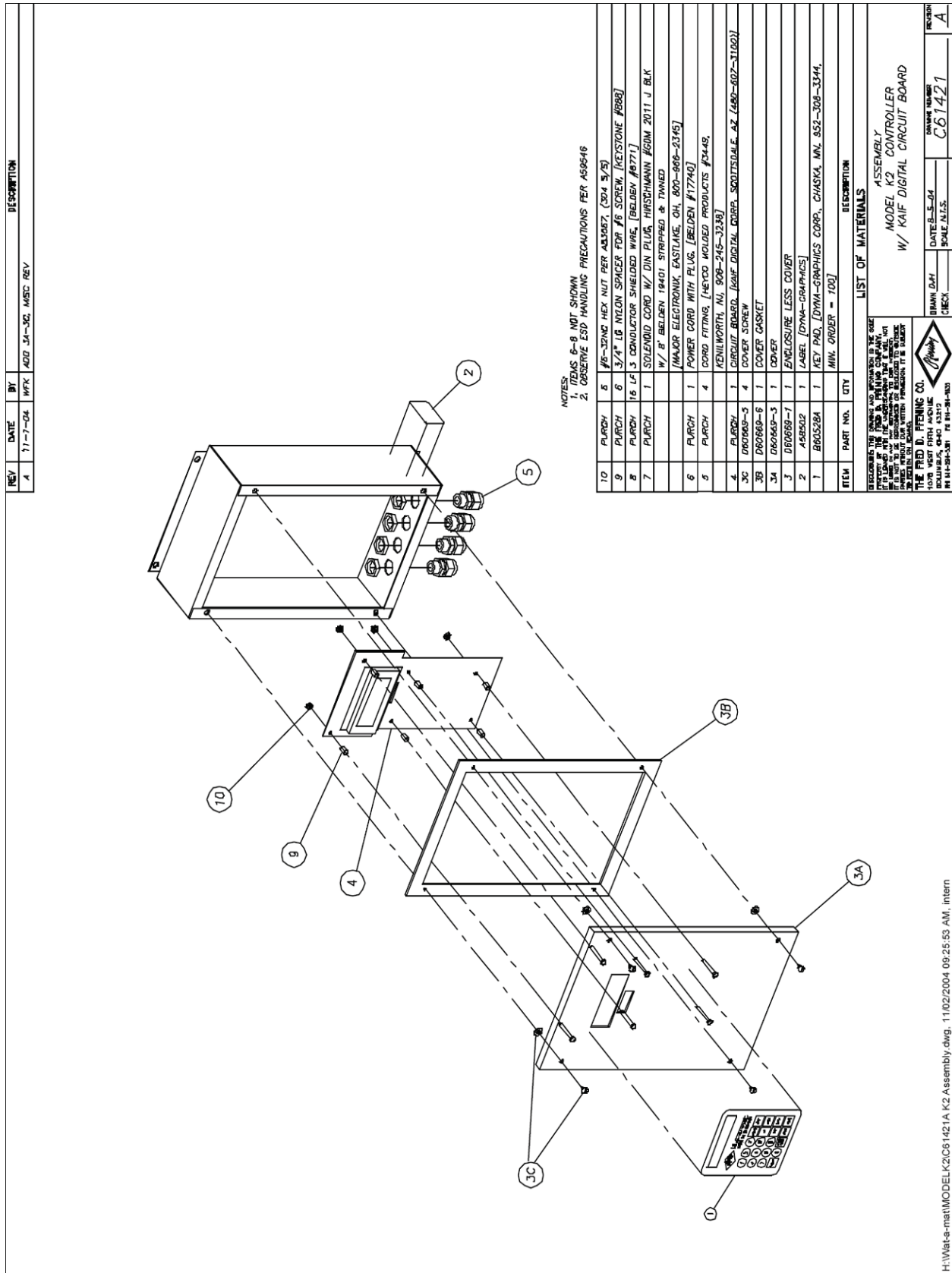
**FACTORY DEFAULT VALUES****Mark II Meter (Water Only)**

Units	Pounds	Gallons	Liters	Kilograms
Preact	0.520	0.062	0.236	0.236
Decimal Point	None	None	None	None
Scaler	0.12890	0.01544	0.05845	0.05845
Alarm	On	On	On	On

(These values are subject to change without notice.)

**Table 3 – Factory Default Values**





NOTES:  
 1. ITEMS 6-8 NOT SHOWN  
 2. OBSERVE ESD HANDLING PRECAUTIONS PER A50546

10	PURCH	5	#6-32ND HEX NUT PER A33067, (304 3/16)
9	PURCH	6	3/4" LG NUTLON SPACER FOR #6 SCREW, [KEYSTONE #888]
8	PURCH	16	1/8 LG 3 CONDUCTOR SHIELDED WIRE, [BELDEN #9771]
7	PURCH	1	SOLENOID CORD W/ DIN PLUG, HIRSCHMANN #GDM 2011 J BLK W/ 8' BELDEN 19401 STRIPPED & TWINED [MAJOR ELECTRONIK, EASTLAKE, OH, 800-869-2345]
6	PURCH	1	POWER CORD WITH PLUG, [BELDEN #17740]
5	PURCH	4	CORD FITTING, [HETCO WOLDED PRODUCTS #3448, KENILWORTH, NJ, 908-248-3338]
4	PURCH	1	CIRCUIT BOARD, [KAIF DIGITAL CORP, SCOTTSDALE, AZ (480-607-3100)]
3C	PROVIDED	3	COVER SCREW
3B	PROVIDED	1	COVER GASKET
3A	PROVIDED	1	COVER
2	ASSEMBY	1	ENCLOSURE LESS COVER
1	ASSEMBY	1	LABEL [DYNA-CRAPHICS]
		1	KEY PAD, [DYNA-CRAPHICS CORP., CHASKA, MN, 952-308-3344, M/N. ORDER = 100]

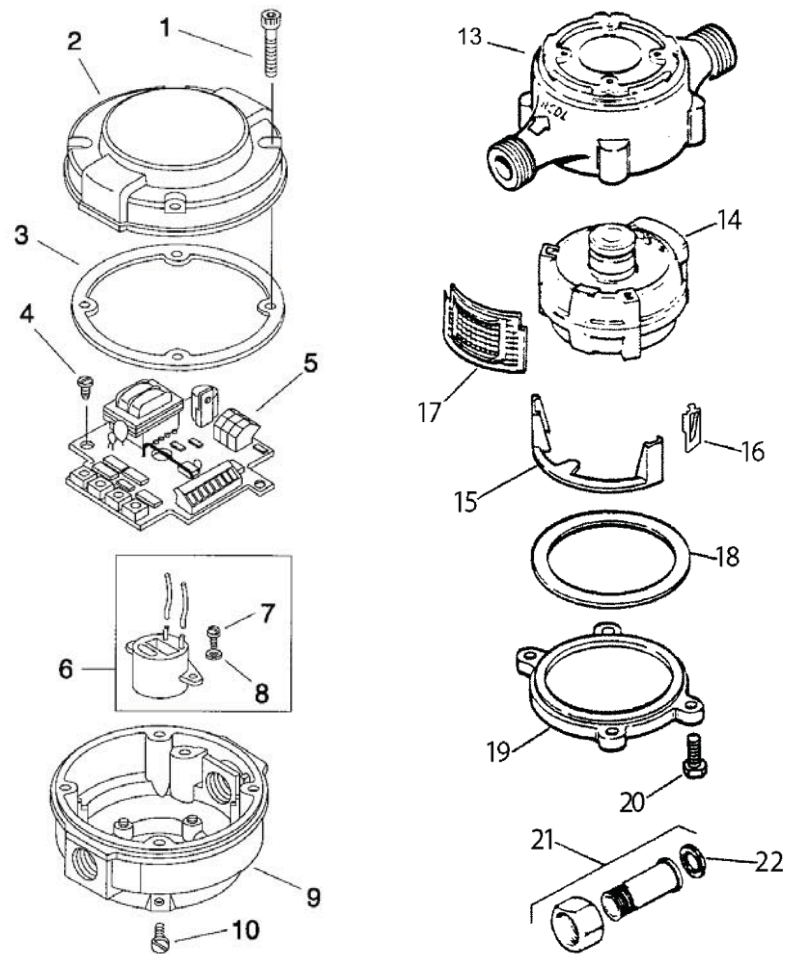
ITEM	PART NO.	QTY	DESCRIPTION
LIST OF MATERIALS			
ASSEMBLY			
MODEL K2 CONTROLLER			
W/ KAIF DIGITAL CIRCUIT BOARD			
DRAWN DATE		DATE 5-14	
CHECK		SCALE N.L.S.	
DRAWN NUMBER		C61421	
REVISION		A	

BEFORE YOU BEGIN WORK ON THIS JOB, READ THE INSTRUCTIONS IN THE CASE OF THE LABEL AND THE INSTRUCTIONS IN THE CASE OF THE LABEL. IF YOU DO NOT FOLLOW THESE INSTRUCTIONS, YOU MAY BE INJURED OR THE EQUIPMENT MAY BE DAMAGED. THE FRED B. PFENING CO. 1070 WEST 6TH AVENUE, MINNEAPOLIS, MN 55408-1317, TEL: 612-338-3400, FAX: 612-338-3403

H:\Water-mat\MODEL K2C061421A K2 Assembly.dwg, 11/02/2004 09:25:53 AM, Intern

FIG. 7 MODEL K2 ASSEMBLY





- 1 Screw, Fill Hd #10-32x3/4
- 2 Clear Cover
- 3 Gasket
- 4 Screw, Pan Hd #6-32x1/4
- 5 AC-DC Scalable Board Assy (PFT-1E)
- 6 Sensor Assy (Magnetoresistor – PFT-1E/PFT-2E)
- 7 Screw, Thrd Forming #4-24x1/4
- 8 Flat Washer
- 9 Lower Housing Assy
- 10 Screw, Seal Fill Hd #8-32
- 13 Meter Housing
- 14 Chamber & Disc Assy, Std
- 15 Chamber Retainer Strap
- 16 Spring Clip (2 Req'd)
- 17 Screen
- 18 Housing Gasket
- 19 Housing Bottom
- 20 Housing Bolt
- 21 Connection Assy (2 Req'd) 3/4"
- 22 Connection Washer 3/4"

