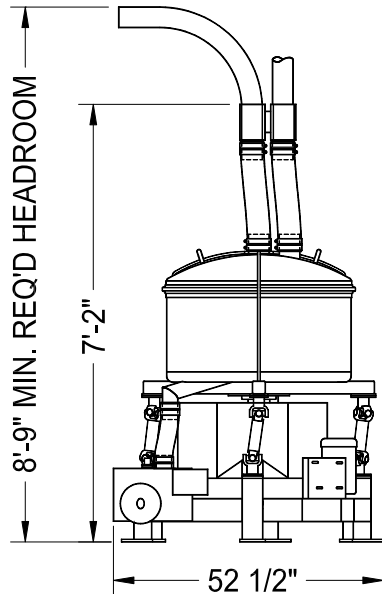
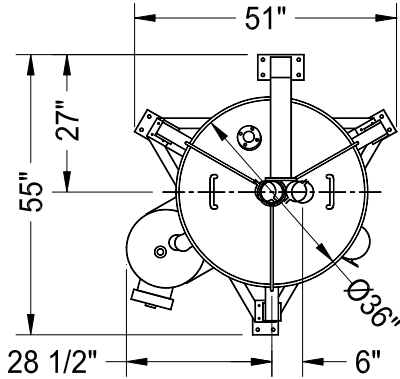




THE FRED D. PFENING COMPANY  
 DEDICATED TO THE BAKING  
 INDUSTRY SINCE 1919  
**36" IN-LINE  
 FLOW-THROUGH SIFTER**



The Pfening Flow-Through Sifter sifts material while it is being pneumatically conveyed. Oversize material is deposited in a tailings container.

The Pressure Sifter Includes:

- **NEW!** Lower mount for easy access and inspection.
- **NEW!** Low maintenance heavy duty tripod drive.
- Field-replaceable screens mounted on lightweight aluminum decks.
- Sanitary stainless steel pressure housing.
- Tailings container with high-level proximity sensor and quick-release door latch.
- Welded steel support stand and tubing support mast.
- Can be used in pressure or vacuum systems.



**Specification**

- Housing:** 304 SS (15 psi, 15 in. Hg max)  
**Screen Deck:** Aluminum  
**Screen Cloth:** 304 SS, 430 SS, or nylon  
**Drive & Base:** Steel & Cast Iron  
**Drive Motor:** 1 HP-XP, 208-230-460/3/60 VAC  
**Level Probe:** 110/1/60 VAC (Proximity Sensor)  
**Tube Size:** 3" or 4"  
**Weight:** 1200 lbs.  
**Screen Area:** 2 deck – 10.2 SF  
 3 deck – 15.3 SF  
 4 deck – 20.4 SF

Product Material	Screen Mesh	Capacity* (lbs./min.)		
		2 Deck	3 Deck	4 Deck
Hard Wheat Flour	20	250	500	500
	30	175	380	500
Soft Wheat Flour	20	85	125	170
	30	60	95	125
Cake Flour	20	150	230	305
	30	95	145	190
Sugar	10	320	500	500

\* Above rates are typical for metal screens.  
 Actual product MUST be tested before final sifter sizing.  
 Send 10 LB. sample of unsifted product to address below.

THE FRED D. PFENING COMPANY  
 MANUFACTURERS OF  
 MATERIAL HANDLING, PROOFING,  
 AND LIQUID METERING SYSTEMS  
 Visit us at [www.pfening.com](http://www.pfening.com)

1075 WEST FIFTH AVENUE  
 COLUMBUS, OHIO 43212  
 PH. (614) 294-5361  
 FAX (614) 294-1633  
 email: [sales@pfening.com](mailto:sales@pfening.com)

SPECIFY TO ORDER:

- CONTACT A PFENING SALES ENGINEER FOR ASSISTANCE IN SIZING YOUR SIFTER.