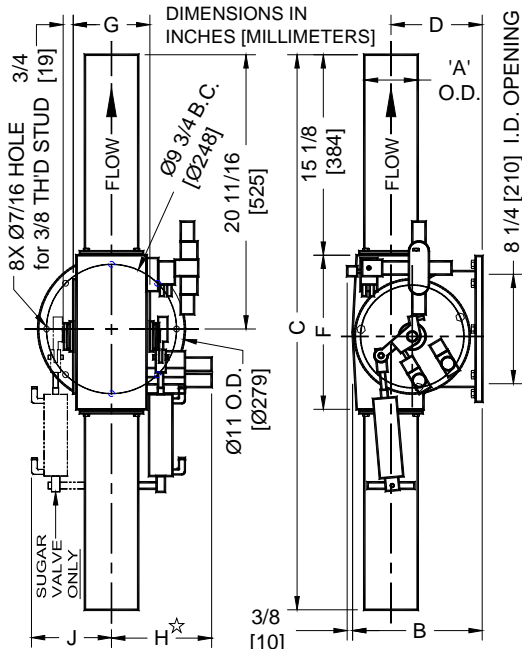




THE FRED D. PFENING COMPANY
DEDICATED TO THE BAKING
INDUSTRY SINCE 1919

SCALE SEPARATOR VALVE



☆ Dimensions for Flour & Sugar differ

Specifications

Pressure Rating: 15 psig

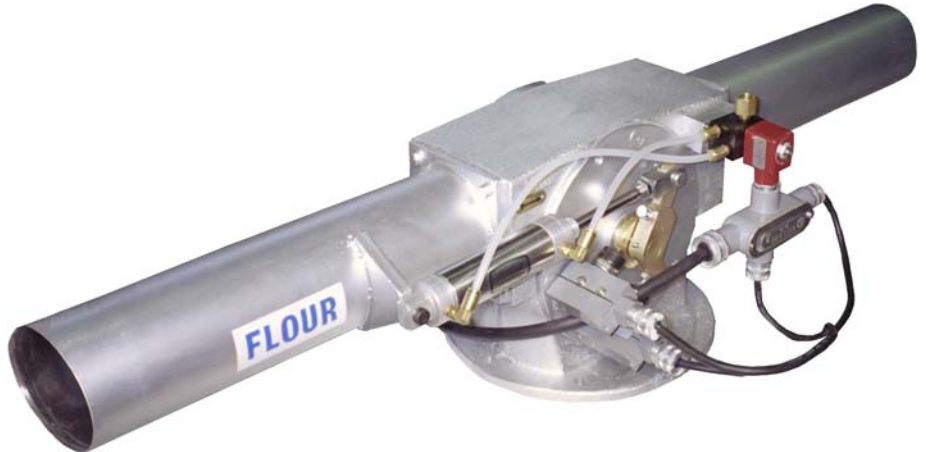
Tube O.D.: 3" to 5"

Weight:

3" 45 lbs. (20 kg)

4" 45 lbs. (20 kg)

5" 65 lbs. (27 kg)



The Scale Separator Valve is designed to separate dry bulk material from a conveying air stream and direct that material into a hopper. It is also known as a scale diverter, hopper valve, bottom diverter, or through diverter.

The Scale Separator Valve includes:

- Aluminum body for light weight and corrosion resistance.
- Sanitary, smooth interior with no rubber parts in product zone.
- Standard bronze diverter vane, stainless steel vane available.
- All metal, tightly machined, sanitary construction.
- Air cylinder operated with 120VAC electric solenoid valve and limit switches for position feedback to control system (electrical components pre-wired to a color-coded harness for easy installation).

Dimensions in Inches [Millimeters]

SIZE	A	B	C	D	F	G	H [☆] (Flour)	H [☆] (Sugar)	J (Sugar Only)
3"	3 [76]	10 [254]	41 7/8 [1064]	6 7/8 [175]	11 5/8 [295]	5 3/4 [146]	7 7/8 [200]	9 7/8 [251]	6 [152]
4"	4 [102]	10 [254]	41 7/8 [1064]	6 7/8 [175]	11 5/8 [295]	5 3/4 [146]	7 7/8 [200]	9 7/8 [251]	6 [152]
5"	5 [127]	11 1/4 [286]	43 1/4 [1099]	8 [203]	13 [330]	6 3/4 [171]	8 3/8 [213]	10 3/8 [264]	6 1/2 [165]

VANE	FLOUR VALVE	SUGAR VALVE
Edges	Square	Beveled
Clearance	.001"-.003"	.005"-.008"

FEATURE	STANDARD	OPTIONAL
Construction	Aluminum	304 Stainless Steel
Deflector Vane	Bronze	304 Stainless Steel
Position Sensors	Limit Switches	Proximity Switches

THE FRED D. PFENING COMPANY
MANUFACTURERS OF
MATERIAL HANDLING, PROOFING,
AND LIQUID METERING SYSTEMS
Visit us at www.pfening.com

1075 WEST FIFTH AVENUE
COLUMBUS, OHIO 43212
PH. (614) 294-5361
FAX (614) 294-1633
email: sales@pfening.com

SPECIFY TO ORDER:

- PFENING SCALE SEPARATOR VALVE
- EITHER FLOUR OR SUGAR
- TUBE SIZE (3" to 5" O.D.)
- DESIRED OPTIONS