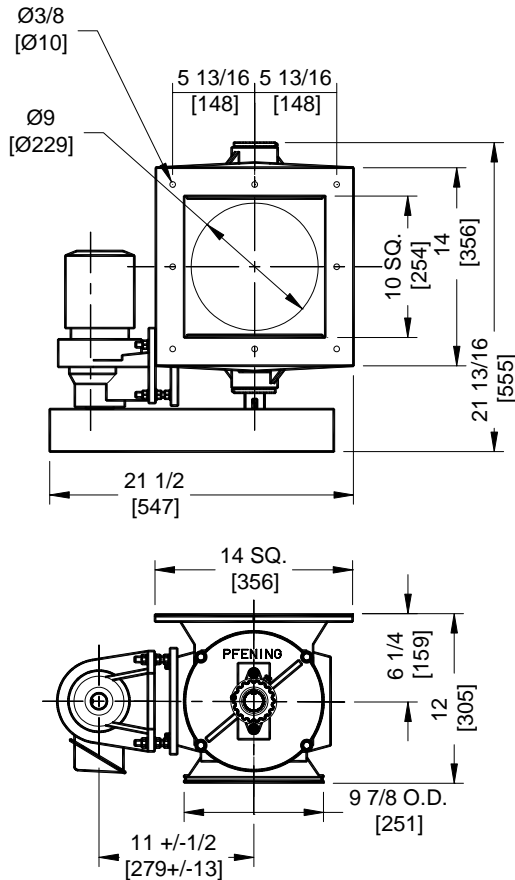




THE FRED D. PFENING COMPANY  
DEDICATED TO THE BAKING  
INDUSTRY SINCE 1919

## MODEL 30 AIRLOCK

DIMENSIONS IN  
INCHES [MILLIMETERS]



**The Model 30 is a drop-through rotary airlock for steady feeding of bulk material from a storage bin or hopper.**

*The Model 30 includes:*

- Cast iron body for durability.
- Rugged steel rotor, precision machined for smooth operation.
- Outboard bearings with inboard shaft seals for long bearing life and easy seal replacement.
- High efficiency cyclo-gearmotor with OSHA chain guard.
- Horizontal motor minimizes over-head clearance required.
- Round discharge for easy connection of flexible sleeve.

### Standard Specifications

**Displacement:** 0.29 ft<sup>3</sup>/rev.

**Operating RPM:** 0 to 36

**Construction:**

*Body & Endplates:* Cast Iron

*Rotor:* Steel

**Electrical:**

*Voltage:* 208-230-460V/3/60  
other voltages available

*Motor:* 1/4 HP TEFC

**Weight:** 155 lbs. (125 lbs. no drive)  
71 kg. (57 kg. no drive)

STANDARD FEATURES	FLOUR AIRLOCK	SUGAR AIRLOCK
Capacity	Up to 250 lbs./min. 113 kg./min.	Up to 300 lbs./min. 136 kg./min.
Rotor Vane	Standard	Beveled rotor tips
Rotor Clearance	.008" - .012"	.008" - .012"
Rotor Shaft Seals	PTFE impregnated packing w/ external gland	Pfening GR-4 air purge type airseal

THE FRED D. PFENING COMPANY  
MANUFACTURERS OF  
MATERIAL HANDLING, PROOFING,  
AND LIQUID METERING SYSTEMS  
Visit us at [www.pfening.com](http://www.pfening.com)

1075 WEST FIFTH AVENUE  
COLUMBUS, OHIO 43212  
PH. (614) 294-5361  
FAX (614) 294-1633  
email: [sales@pfening.com](mailto:sales@pfening.com)

SPECIFY TO ORDER:

- PFENING MODEL 30 AIRLOCK
- EITHER FLOUR OR SUGAR
- EITHER WITH OR WITHOUT DRIVE
- RPM OR LBS/MIN. IF W/ DRIVE