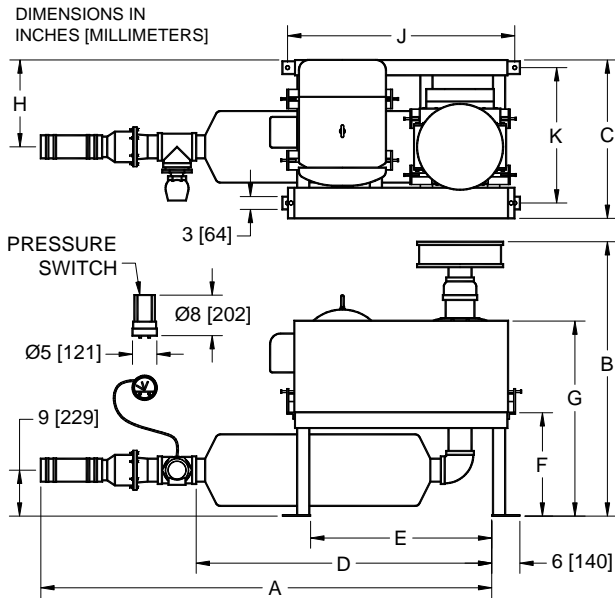




THE FRED D. PFENING COMPANY
DEDICATED TO THE BAKING
INDUSTRY SINCE 1919

CONVEYING BLOWER



Specifications

Pressure Rating: 15 psig max

Vacuum Rating: 15 in. Hg max

Volume: 0-1000 CFM (sized to order)

Horsepower: 0-100 HP (sized to order)

Outlet Size: 3" to 6"

Size and Weight:

Small (0-15 HP) 700 lbs. (318 kg)

Medium (20-40 HP) 1100 lbs. (500 kg)

Large (50-100 HP) 1800 lbs. (818 kg)

The conveying blower is the *heart* of a pneumatic conveying system. It provides the necessary airflow, either pressure or vacuum, for reliable dry bulk pneumatic conveying.

The Conveying Blower Includes:

- Rugged industrial grade positive displacement rotary blower.
- Premium quality energy efficient motor and v-belt drive.
- Sanitary welded steel frame with open design to minimize dust accumulation.
- Air intake filter-silencer and discharge muffler.
- Check valve, relief valve, pressure switch and gauge.

Dimensions in Inches [Millimeters]

SIZE	A	B	C	D	E	F	G	H	J	K
SMALL BLOWER	84 [2134]	47 [1194]	23 [584]	55 [1397]	28 [711]	18 [457]	32 [813]	11 [279]	37 [940]	18 [457]
MEDIUM BLOWER	90 [2286]	57 [1448]	31 [787]	59 [1499]	35 [889]	20 [508]	38 [965]	17 [432]	44 [1118]	26.5 [647]
LARGE BLOWER	110 [2794]	64 [1626]	31 [787]	74 [1880]	35 [889]	20 [508]	41 [1041]	18 [457]	44 [1118]	26.5 [673]

THE FRED D. PFENING COMPANY
MANUFACTURERS OF
MATERIAL HANDLING, PROOFING,
AND LIQUID METERING SYSTEMS
Visit us at www.pfening.com

1075 WEST FIFTH AVENUE
COLUMBUS, OHIO 43212
PH. (614) 294-5361
FAX (614) 294-1633
email: sales@pfening.com

SPECIFY TO ORDER:

- CONTACT A PFENING SALES ENGINEER FOR ASSISTANCE IN BLOWER SIZING.