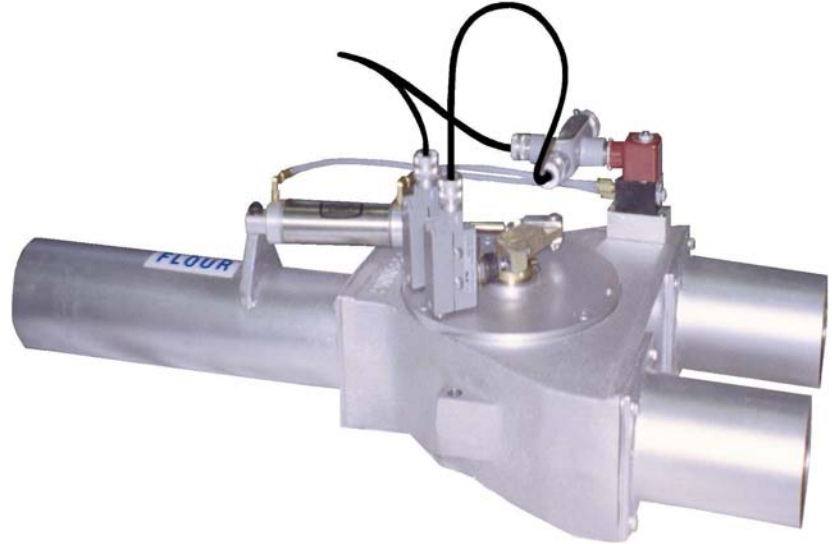
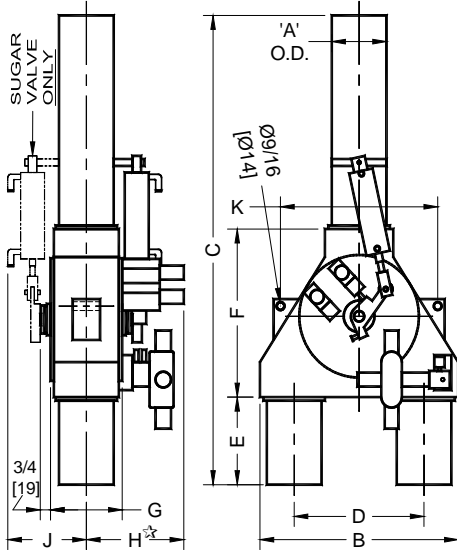




THE FRED D. PFENING COMPANY  
DEDICATED TO THE BAKING  
INDUSTRY SINCE 1919

## 3-WAY DIVERTER VALVE

DIMENSIONS IN  
INCHES [MILLIMETERS]



☆ Dimensions for Flour & Sugar differ

### Specifications

**Pressure Rating:** 15 psig

**Tube O.D.:** 3" to 5"

**Weight:**

3" 35 lbs. (16 kg)

4" 55 lbs. (25 kg)

5" 70 lbs. (32 kg)

**The 3-Way Diverter Valve is designed for switching flow in a conveying line from one line to another. It is also called a line diverter, wye diverter or tube selector.**

*The 3-Way Diverter Valve includes:*

- Aluminum body for light weight and corrosion resistance.
- Sanitary, smooth interior with no rubber parts in product zone.
- Standard bronze diverter vane, stainless steel vane available.
- All metal, tightly machined, sanitary construction.
- Air cylinder operated with 120VAC electric solenoid valve and limit switches for position feedback to control system (electrical components pre-wired to a color-coded harness for easy installation).

DIMENSIONS IN INCHES [MILLIMETERS]

SIZE	A	B	C	D	E	F	G	H <sup>☆</sup> (Flour)	H <sup>☆</sup> (Sugar)	J (Sugar Only)	K
3"	3 [76]	11 1/4 [286]	31 3/4 [806]	7 3/8 [187]	6 1/4 [159]	10 1/2 [267]	4 3/8 [111]	7 1/4 [184]	9 1/4 [235]	5 3/8 [137]	8 3/4 [222]
4"	4 [102]	14 3/4 [375]	33 1/2 [851]	9 1/2 [241]	6 1/4 [159]	12 [305]	5 1/4 [133]	7 5/8 [194]	9 5/8 [245]	5 3/4 [146]	10 15/16 [278]
5"	5 [127]	18 1/4 [464]	40 5/8 [1032]	12 [305]	12 1/4 [311]	13 [330]	6 1/2 [165]	8 1/4 [210]	10 1/4 [260]	6 3/8 [162]	10 15/16 [278]

VANE	FLOUR VALVE	SUGAR VALVE	FEATURE	STANDARD	OPTIONAL
Edges	Square	Beveled	Construction	Aluminum	304 Stainless Steel
Clearance	.001"-.003"	.005"-.008"	Deflector Vane	Bronze	304 Stainless Steel
			Position Sensors	Limit Switches	Proximity Switches

THE FRED D. PFENING COMPANY  
MANUFACTURERS OF  
MATERIAL HANDLING, PROOFING,  
AND LIQUID METERING SYSTEMS  
Visit us at [www.pfening.com](http://www.pfening.com)

1075 WEST FIFTH AVENUE  
COLUMBUS, OHIO 43212  
PH. (614) 294-5361  
FAX (614) 294-1633  
email: [sales@pfening.com](mailto:sales@pfening.com)

SPECIFY TO ORDER:

- PFENING 3-WAY DIVERTER VALVE
- EITHER FLOUR OR SUGAR
- TUBE SIZE (3" TO 5" O.D.)
- DESIRED OPTIONS