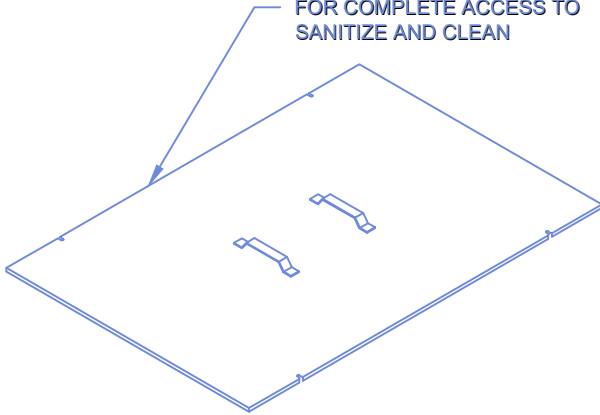


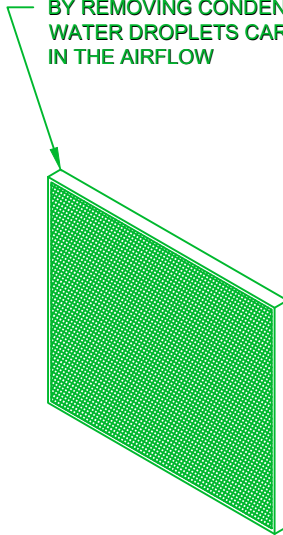


PFENING MODEL 300 PROOF BOX AIR HANDLING UNIT

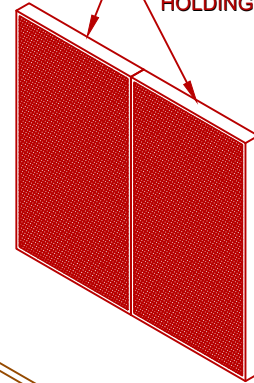
REMOVABLE LID ALLOWS FOR COMPLETE ACCESS TO SANITIZE AND CLEAN



DROPLET ELIMINATOR PROTECTS THE RADIATOR BY REMOVING CONDENSING WATER DROPLETS CARRIED IN THE AIRFLOW

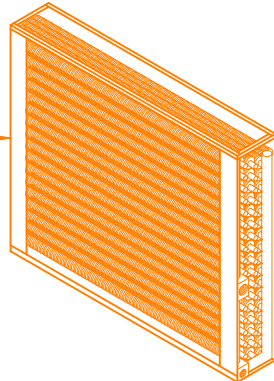


WASHABLE METAL IMPINGEMENT AIR FILTERS WITH SUPERIOR DUST HOLDING CAPACITY

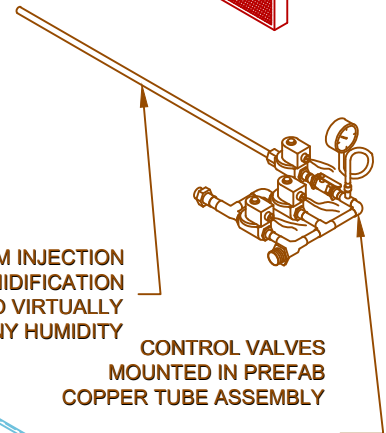


STEAM RADIATOR WITH LOW FIN COUNT TO REDUCE BLOCKAGE FROM FLOUR DUST

INCLUDES STAINLESS STEEL CASE, COPPER OR STAINLESS STEEL TUBING AND FINS



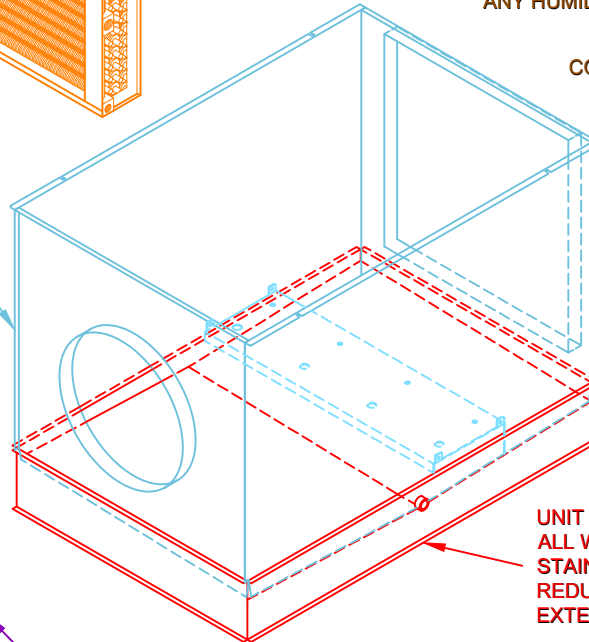
LIVE STEAM INJECTION ALLOWS FOR HUMIDIFICATION CONTROL TO VIRTUALLY ANY HUMIDITY



CONTROL VALVES MOUNTED IN PREFAB COPPER TUBE ASSEMBLY

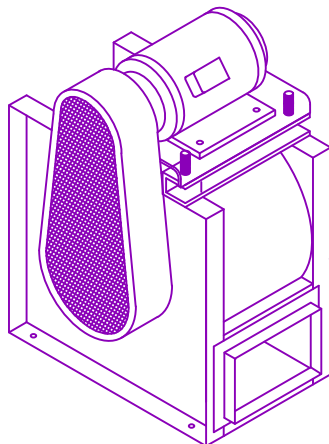
ON/OFF SOLENOID VALVES SHOWN, MODULATING VALVES ALSO AVAILABLE

ALL STAINLESS STEEL AIR HANDLING UNIT HOUSING



AIRFLOW

UNIT SUMP PAN WITH ALL WELDED HEAVY GAUGE STAINLESS STEEL BASE REDUCES LEAKS AND EXTENDS LIFE



BACKWARD CURVED CENTRIFUGAL AIR CIRCULATION FAN PROVIDES EXCEPTIONAL WEAR RESISTANCE IN HIGH DUST AND HUMIDITY SYSTEMS AVAILABLE IN ALUMINUM OR STAINLESS STEEL