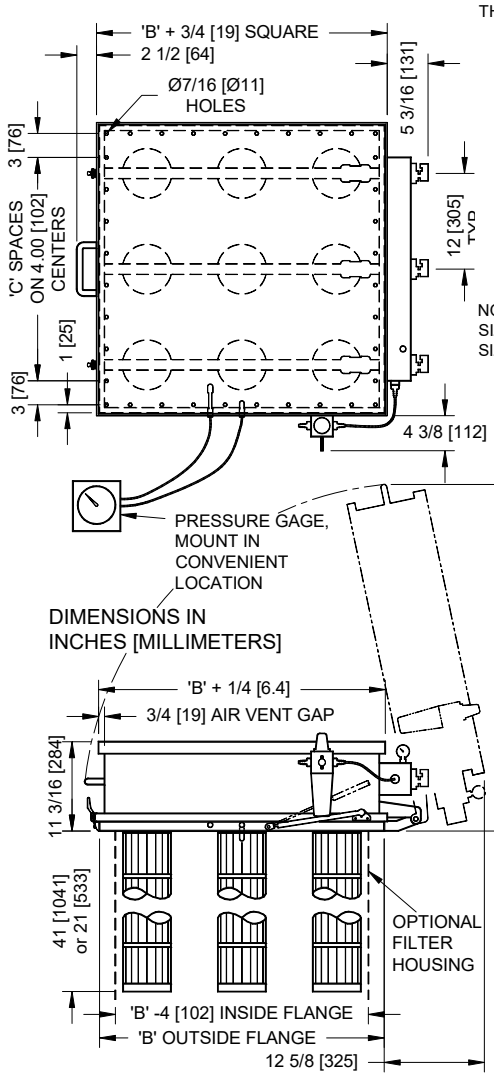
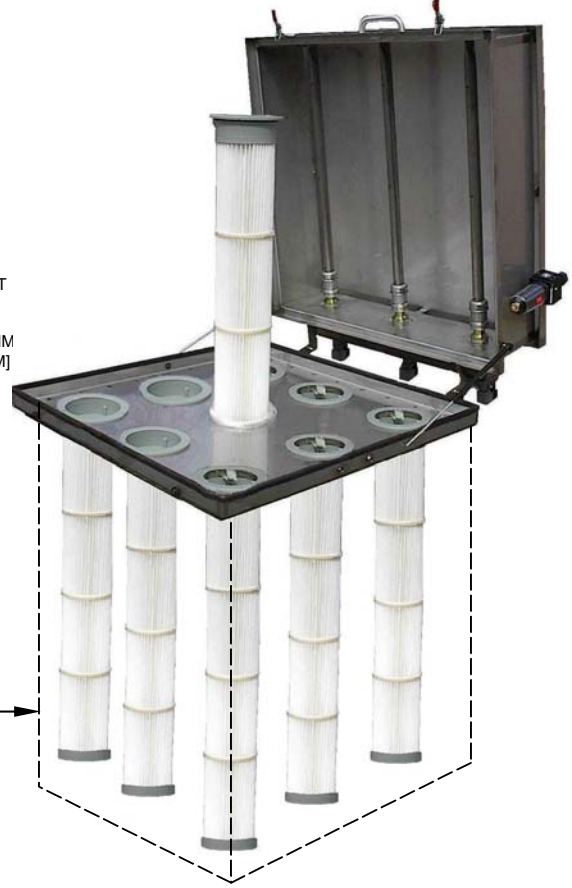




THE FRED D. PFENING COMPANY
 DEDICATED TO THE BAKING
 INDUSTRY SINCE 1919
**TOP LOADING BIN VENT
 DUST COLLECTOR**



THE MODEL NUMBER IS DEFINED AS FOLLOWS:
 --PT--
 FILTER SIZE ↑ QUANTITY OF FILTERS IN A SQUARE CONFIGURATION
 SERIES ↑
 EXAMPLE: 40-PT-9
 USES SIZE 40 FILTER ↑ 9 FILTERS IN A 3 X 3 CONFIG.
 SERIES 'PT' BIN VENT DUST COLLECTOR
 NOTE:
 SIZE 40 ACTUAL LENGTH = 41.4" [1052 MM]
 SIZE 20 ACTUAL LENGTH = 21.4" [544 MM]



Insertable style shown.
 Optional filter housing available for external mounting. Shown in dashed line

The Top Loading Bin Vent Dust Collector is designed to vent air from hoppers or silos. Its features include:

- Top opens to allow full access to filters.
- All stainless steel construction to BISSC standards.
- FDA compliant filters with quick release PTFE membrane.
- Filters snap in from top—no tools required.
- Reliable reverse-pulse filter cleaning.
- Filters may be cleaned by air wand or light water spray. Dry thoroughly before using.
- Contact Pfening for assistance in sizing unit.

MODEL NUMBER	20-PT-4	40-PT-4	20-PT-9	40-PT-9	20-PT-16	40-PT-16
'A', IN. [MM]	32 [813]	32 [813]	44 [1118]	44 [1118]	56 [1422]	56 [1422]
'B', IN. [MM]	24 [610]	24 [610]	36 [914]	36 [914]	48 [1118]	48 [1118]
'C'	4	4	7	7	10	10
FILTER AREA, FT ² , [M ²]	68 [6.3]	116 [10.8]	130 [12.1]	261 [24.2]	232 [21.6]	464 [43.1]
COMPRESSED AIR REQUIRED FT ³ /MIN., [M ³ /MIN.]	1.0 [.03]	1.0 [.03]	2.8 [.08]	2.8 [.08]	5.4 [.15]	5.4 [.15]
WEIGHT, LB. [KG]	200 [90]	200 [90]	300 [136]	300 [136]	500 [227]	500 [227]

THE FRED D. PFENING COMPANY
 MANUFACTURERS OF
 MATERIAL HANDLING, PROOFING,
 AND LIQUID METERING SYSTEMS
 Visit us at www.pfening.com

1075 WEST FIFTH AVENUE
 COLUMBUS, OHIO 43212
 PH. (614) 294-5361
 FAX (614) 294-1633
 email: sales@pfening.com

SPECIFY TO ORDER:
 • PFENING MODEL ___-PT-___ BIN VENT DUST COLLECTOR
 • DESIRED OPTIONS