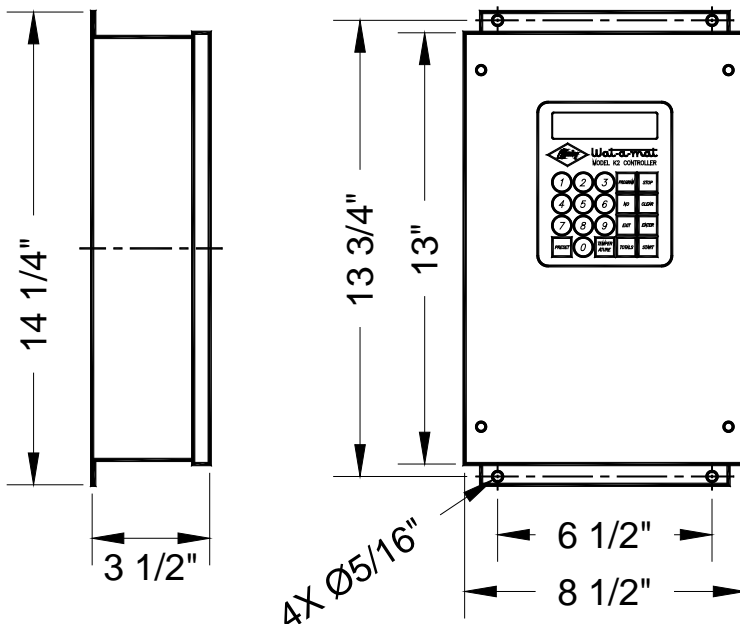




THE FRED D. PFENING COMPANY
DEDICATED TO THE BAKING
INDUSTRY SINCE 1919

MODEL K2 LIQUID METER CONTROL



Electrical Specifications:

Inputs:

Power: 120 VAC, 2A fused
Counter: Dry contact or current-sinking TTL type (compatible with Hall-effect and magneto-resistive sensors)

Remote Start/Stop: Dry contacts

Outputs:

Flow valve: 120 VAC Relay
Pump starter: Dry contact relay

The Model K2 is a liquid meter control designed specifically for batching liquids in production facilities. It includes rate, totalizing, and remote start/stop options.

The Model K2 includes:

- Easy to read four-line LCD display.
- 20 key waterproof touchpad for ease of operation.
- Simple operation with operator prompts.
- Up to 6 setpoints for batch size.
- Programmable scaler and preact.
- Splash proof stainless steel enclosure.
- Count and batch totalizers.

THE FRED D. PFENING COMPANY
MANUFACTURERS OF
MATERIAL HANDLING, PROOFING,
AND LIQUID METERING SYSTEMS
Visit us at www.pfening.com

1075 WEST FIFTH AVENUE
COLUMBUS, OHIO 43212
PH. (614) 294-5361
FAX (614) 294-1633
email: sales@pfening.com

SPECIFY TO ORDER:

- CONTACT A PFENING SALES AGENT FOR ASSISTANCE IN ORDERING YOUR CONTROL.