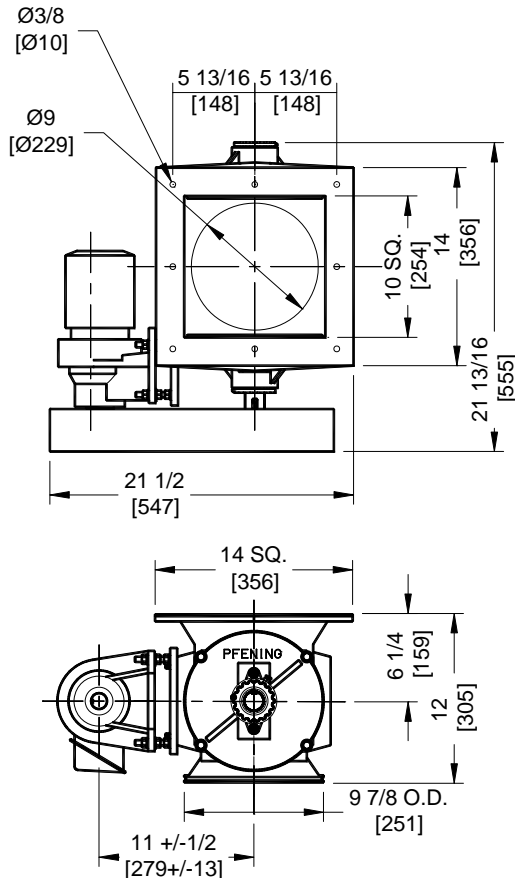




THE FRED D. PFENING COMPANY
DEDICATED TO THE BAKING
INDUSTRY SINCE 1919

MODEL 30 AIRLOCK

DIMENSIONS IN
INCHES [MILLIMETERS]



The Model 30 is a drop-through rotary airlock for steady feeding of bulk material from a storage bin or hopper.

The Model 30 includes:

- Cast iron body for durability.
- Rugged steel rotor, precision machined for smooth operation.
- Outboard bearings with inboard shaft seals for long bearing life and easy seal replacement.
- High efficiency cyclo-gearmotor with OSHA chain guard.
- Horizontal motor minimizes over-head clearance required.
- Round discharge for easy connection of flexible sleeve.

Standard Specifications

Displacement: $0.29\ \text{ft}^3/\text{rev.}$

Operating RPM: 0 to 36

Construction:

Cast Iron & Steel

Optional: Stainless Steel

Electrical:

Voltage: 208-230-460V/3/60
other voltages available

Motor: $1/4\ \text{HP TEFC}$

Weight: 228 lbs. (178 lbs. no drive)
103 kg. (81 kg. no drive)

STANDARD FEATURES	FLOUR AIRLOCK	SUGAR AIRLOCK
Capacity	Up to 250 lbs./min. 113 kg./min.	Up to 300 lbs./min. 136 kg./min.
Rotor Vane	Standard	Beveled rotor tips
Rotor Clearance	.008" - .012"	.008" - .012"
Rotor Shaft Seals	PTFE impregnated packing w/ external gland	Pfening GR-4 air purge type airseal

THE FRED D. PFENING COMPANY
MANUFACTURERS OF
MATERIAL HANDLING, PROOFING,
AND LIQUID METERING SYSTEMS
Visit us at www.pfening.com

1075 WEST FIFTH AVENUE
COLUMBUS, OHIO 43212
PH. (614) 294-5361
FAX (614) 294-1633
email: sales@pfening.com

SPECIFY TO ORDER:

- PFENING MODEL 30 AIRLOCK
- EITHER FLOUR OR SUGAR
- EITHER WITH OR WITHOUT DRIVE
- RPM OR LBS/MIN. IF W/ DRIVE