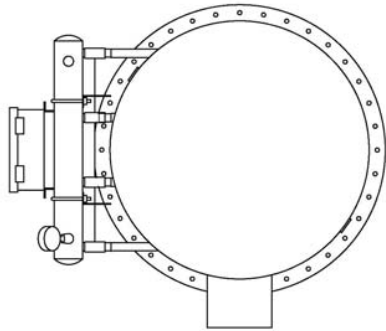


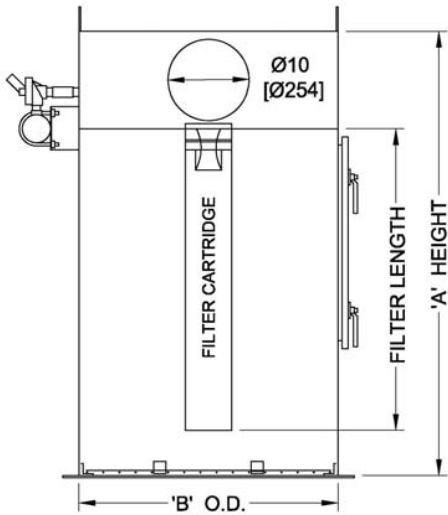


THE FRED D. PFENING COMPANY
 DEDICATED TO THE BAKING
 INDUSTRY SINCE 1919
**CARTRIDGE BIN VENT
 ROUND DUST COLLECTOR**



THE MODEL NUMBER IS DEFINED
 AS FOLLOWS:
 --B--C
 CARTRIDGE LENGTH SERIES QUANTITY OF CARTRIDGES IN A

EXAMPLE:
 45-B-12C
 45" LONG FILTER SERIES 'B' BIN VENT DUST COLLECTOR 12 FILTERS



CARTRIDGE FILTER



MODEL NUMBER	25-B-7C	45-B-7C	61-B-7C	25-B-12C	45-B-12C	61-B-12C	25-B-27C	45-B-27C	61-A-27C
'A', IN. [MM]	38 [965]	58 [1473]	74 [1880]	38 [965]	58 [1473]	74 [1880]	38 [965]	58 [1473]	74 [1880]
'B', IN. [MM]	28 [711]			36 [914]			45 [1140]		
FILTER AREA, FT ² , [M ²]	86 [8.0]	172 [16.0]	241 [22.4]	147 [13.7]	295 [27.4]	413 [38.4]	324 [30]	648 [60]	928 [86]
COMPRESSED AIR REQUIRED, FT ³ /MIN., [M ³ /MIN.]	3.5 [.10]	3.8 [.11]	4.0 [.11]	4.4 [.12]	4.7 [.13]	4.9 [.14]	6.4 [.18]	6.8 [.19]	7.1 [.20]
MAX AIR FLOW FT ³ /MIN., [M ³ /MIN.]	750 [21.2]			1250 [35.4]			2100 [59.5]		

The Bin Vent Dust Collector is designed to vent air from hoppers or silos. Its features include:

- Low maintenance, easy-change filter cartridge design.
- Long life FDA compliant filter cartridges with quick release PTFE membrane.
- Reverse pulsejet filter cleaning with durable cast venturi nozzles.
- Oversize doors for ease of access.
- Sanitary, continuous welds inside and out to meet BISSC standards.
- Mild steel construction is standard, corrosion resistant aluminum or stainless steel available.
- Optional exhaust fan.

THE FRED D. PFENING COMPANY
 MANUFACTURERS OF
 MATERIAL HANDLING, PROOFING,
 AND LIQUID METERING SYSTEMS
 Visit us at www.pfening.com

1075 WEST FIFTH AVENUE
 COLUMBUS, OHIO 43212
 PH. (614) 294-5361
 FAX (614) 294-1633
 email: sales@pfening.com

SPECIFY TO ORDER:

- PFENING MODEL __A__C CARTRIDGE BIN VENT DUST COLLECTOR
- MILD STEEL, STAINLESS STEEL OR ALUMINUM CONST.
- INDOOR OR OUTDOOR SERVICE
- DESIRED OPTIONS