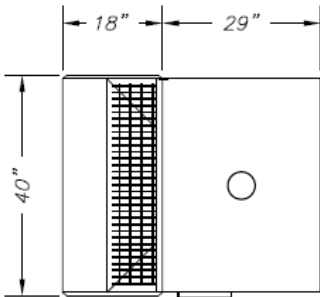




THE FRED D. PFENING COMPANY  
DEDICATED TO THE BAKING  
INDUSTRY SINCE 1919

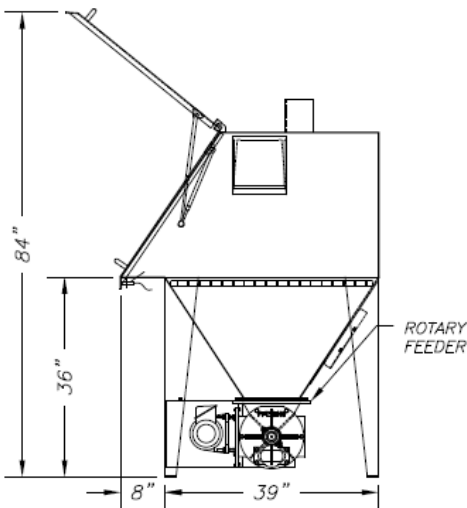
## BAG DUMP STATION



SINGLE  
DISCHARGE



DOUBLE  
DISCHARGE



### Specifications

<b>Housing:</b>	304 Stainless steel
<b>Grate area:</b>	36" wide x 36" deep
<b>Grate mat'l:</b>	Aluminum (SS available)
<b>Dump ht:</b>	36 inches
<b>Capacity:</b>	12.5 CF (500 lbs. @40 PCF)
<b>Vent fan:</b>	1000 CFM, 3 HP, mild steel (SS available)
<b>Filters:</b>	FDA compliant, PTFE coated cartridges
<b>Air usage:</b>	1.5 CFM @ 80 psi

**The Bag Dump Station is for loading smaller amounts of ingredients from bags or containers. The ingredients are discharged into a pneumatic conveying line by a rotary feeder mounted to the bottom of the unit.**

### The Bag Dump Station Includes:

- Fully enclosed, all stainless steel sanitary housing.
- Gas spring assist door for easy opening.
- Low, ergonomic dump height for ease of use.
- Optional hopper capacities available.
- Lightweight lift-out grate for ease of cleaning.
- Integrates into the pneumatic conveying system.
- Optional SS grate available.

THE FRED D. PFENING COMPANY  
MANUFACTURERS OF  
MATERIAL HANDLING, PROOFING,  
AND LIQUID METERING SYSTEMS  
Visit us at [www.pfening.com](http://www.pfening.com)

1075 WEST FIFTH AVENUE  
COLUMBUS, OHIO 43212  
PH. (614) 294-5361  
FAX (614) 294-1633  
email: [sales@pfening.com](mailto:sales@pfening.com)

CONTACT A PFENING SALES ENGINEER  
FOR ADDITIONAL INFORMATION.