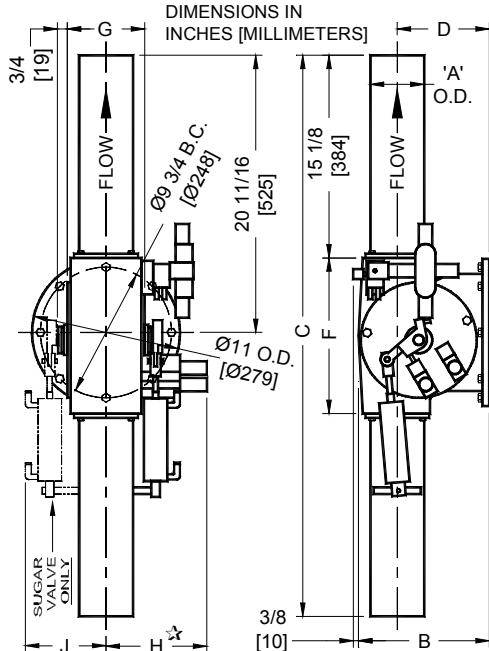


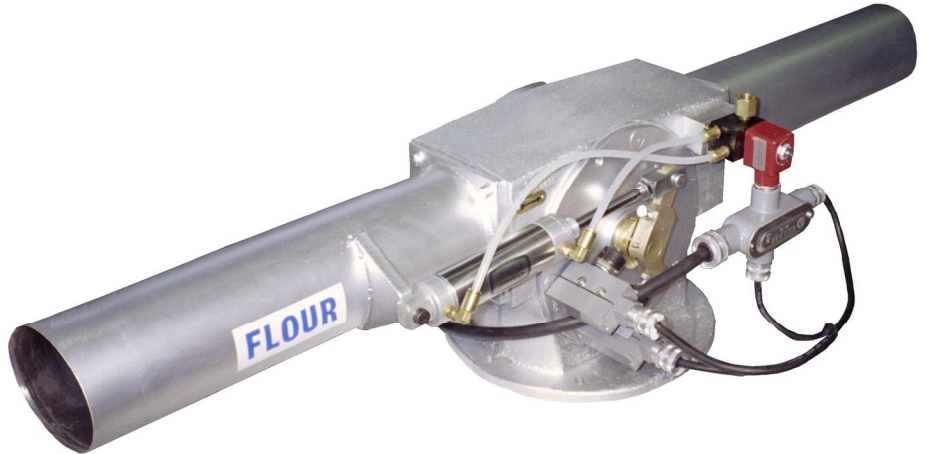


THE FRED D. PFENING COMPANY  
DEDICATED TO THE BAKING  
INDUSTRY SINCE 1919

## SCALE SEPARATOR VALVE



☆ Dimensions for Flour & Sugar differ



The Scale Separator Valve is designed to separate dry bulk material from a conveying air stream and direct that material into a hopper. It is also known as a scale diverter, hopper valve or through diverter.

The Scale Separator Valve includes:

- Aluminum body for light weight and corrosion resistance.
- Sanitary, smooth interior with no rubber parts in product zone.
- Standard bronze diverter vane, stainless steel vane available.
- All metal, tightly machined, sanitary construction.
- Air cylinder operated with 120VAC electric solenoid valve and limit switches for position feedback to control system (electrical components pre-wired to a color-coded harness for easy installation).

### Specifications

**Pressure Rating:** 15 psig

**Tube O.D.:** 3" to 5"

**Weight:**

3" 45 lbs. (20 kg)

4" 45 lbs. (20 kg)

5" 65 lbs. (27 kg)

Dimensions in Inches [Millimeters]

SIZE	A	B	C	D	F	G	H <sup>☆</sup> (Flour)	H <sup>☆</sup> (Sugar)	J (Sugar Only)
3"	3 [76]	10 [254]	41 7/8 [1064]	6 7/8 [175]	11 5/8 [295]	5 3/4 [146]	7 7/8 [200]	9 7/8 [251]	6 [152]
4"	4 [102]	10 [254]	41 7/8 [1064]	6 7/8 [175]	11 5/8 [295]	5 3/4 [146]	7 7/8 [200]	9 7/8 [251]	6 [152]
5"	5 [127]	11 1/4 [286]	43 1/4 [1099]	8 [203]	13 [330]	6 3/4 [171]	8 3/8 [213]	10 3/8 [264]	6 1/2 [165]

VANE	FLOUR VALVE	SUGAR VALVE
Edges	Square	Beveled
Clearance	.001"-.003"	.005"-.008"

FEATURE	STANDARD	OPTIONAL
Construction	Aluminum	304 Stainless Steel
Deflector Vane	Bronze	304 Stainless Steel
Position Sensors	Limit Switches	Proximity Switches

THE FRED D. PFENING COMPANY  
MANUFACTURERS OF  
MATERIAL HANDLING, PROOFING,  
AND LIQUID METERING SYSTEMS  
Visit us at [www.pfening.com](http://www.pfening.com)

1075 WEST FIFTH AVENUE  
COLUMBUS, OHIO 43212  
PH. (614) 294-5361  
FAX (614) 294-1633  
email: [sales@pfening.com](mailto:sales@pfening.com)

SPECIFY TO ORDER:

- PFENING SCALE SEPARATOR VALVE
- EITHER FLOUR OR SUGAR
- TUBE SIZE (3" to 5" o.d.)
- DESIRED OPTIONS