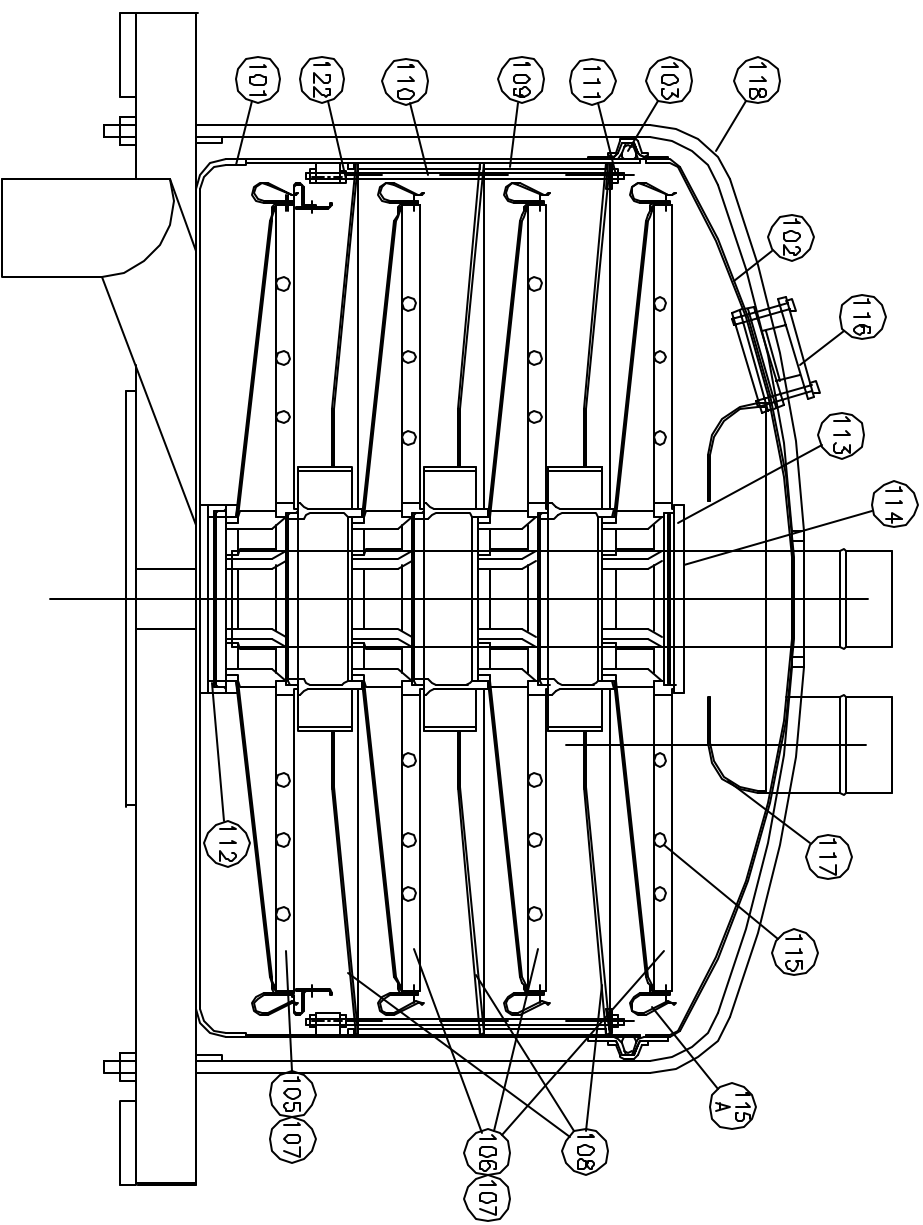


When ordering parts, have the following information ready:

1. Sifter diameter
2. Number of decks
3. Screen mesh
4. Serial number



122	Rubber baffle seal
118	Cover safety retainer
117	Inlet deflector
116	Rupture disk assembly
115A	Spring clip
115	Screen cleaning ball
114	Internal tie down screw
113	Top deck clamping plate
112	Bottom deck register plate
111	Wedge washer
110	Baffle securing stud
109	Spacer (plastic strip)
108	Baffle
107	Screen
106	Upper screen deck
105	Bottom screen deck
104	Clamp
103	"O" Ring gasket
102	Cover
101	Housing

**LOW PROFILE PRESSURE SIFTER HOUSING & INTERNAL PARTS**