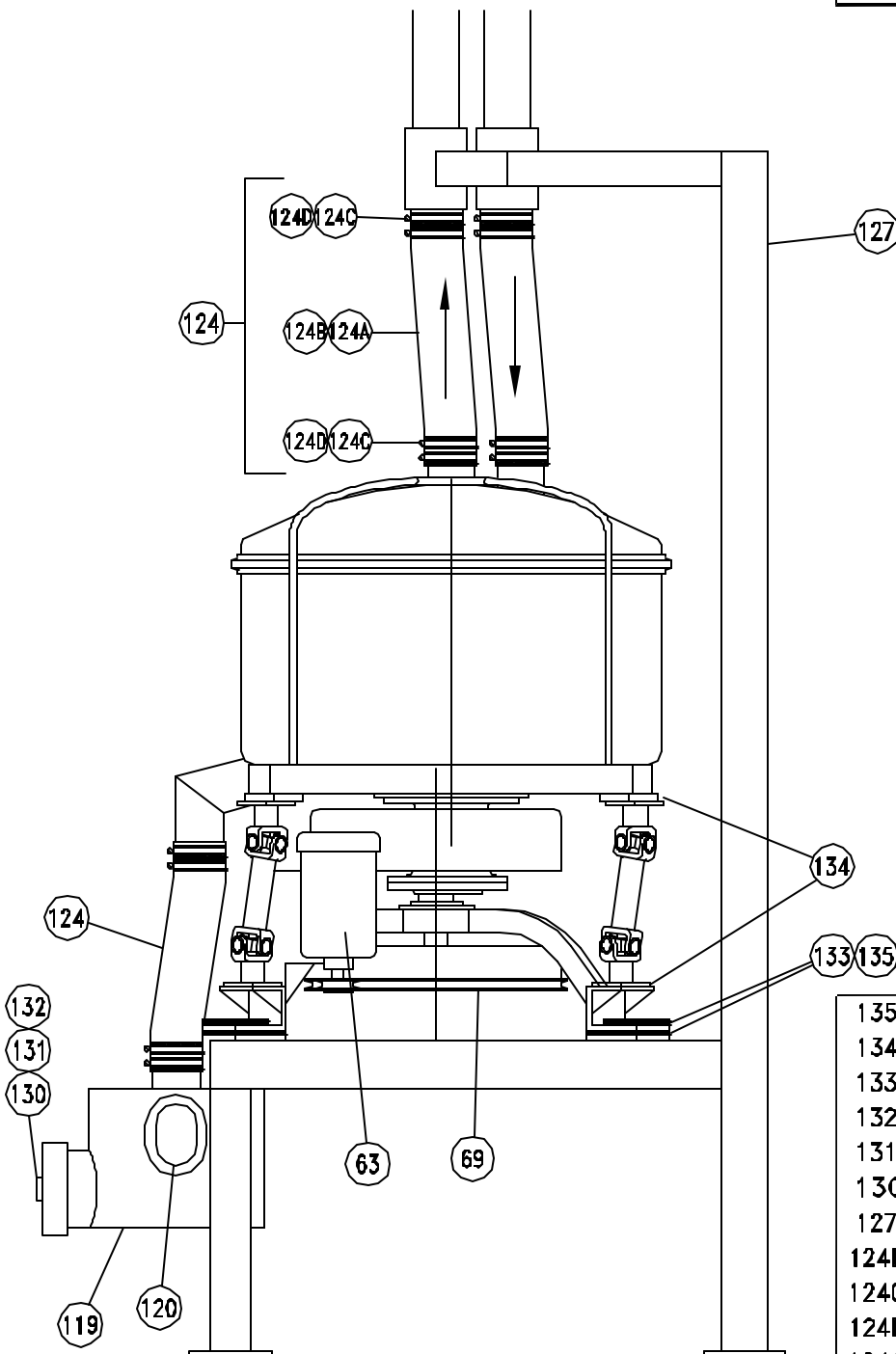


When ordering parts, have the following information ready:

1. Sifter diameter
2. Number of decks
3. Screen mesh
4. Serial number



- | | |
|------|-------------------------------|
| 135 | Base shim kit |
| 134 | Stabilizer shim kit |
| 133 | Vibration eliminator pad set |
| 132 | Door hinge arm |
| 131 | Door cam latch |
| 130 | 6" O-ring gasket |
| 127 | Floor stand w/ mast |
| 124D | Rubber wear strips (set of 4) |
| 124C | 4" Clamps (set of 4) |
| 124B | 4" Cotton sleeve |
| 124A | 4" Gum rubber hose |
| 124 | 4" Hose assembly |
| 120 | Level control |
| 119 | Tailings container |
| 69 | V-belt |
| 63 | Motor |

**LOW PROFILE PRESSURE SIFTER
EXTERNAL PARTS**

THE FRED D. PEENING CO.
COLUMBUS, OHIO 43212

DRAWING NUMBER
P58888 SH 1

REVISION