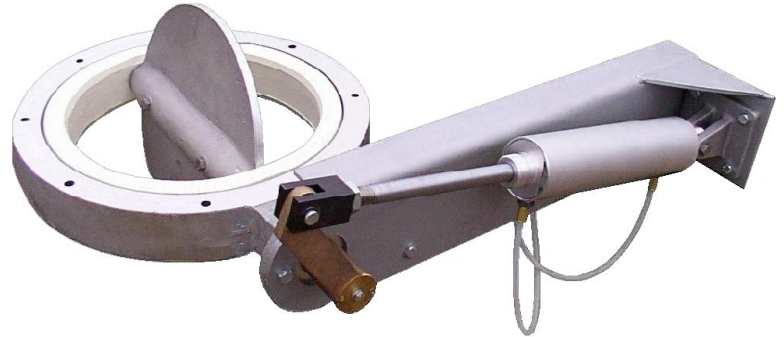
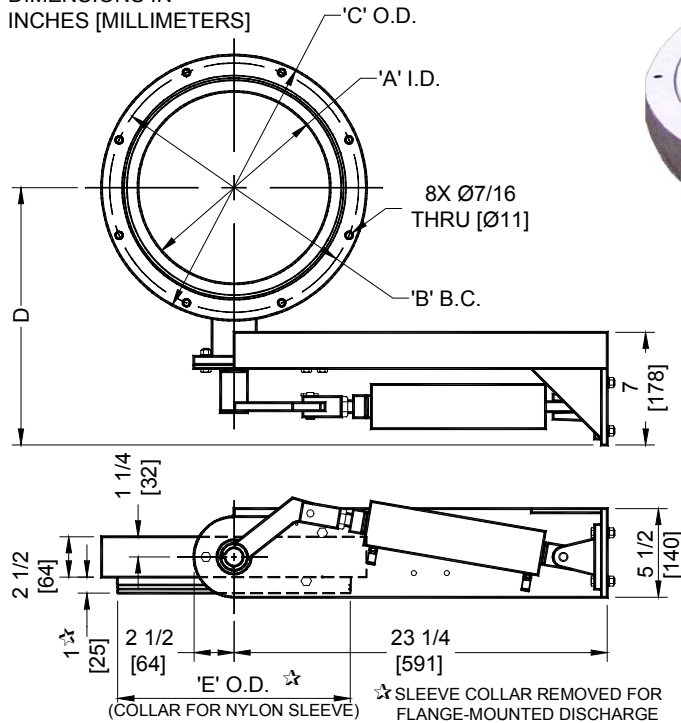




THE FRED D. PFENING COMPANY
DEDICATED TO THE BAKING
INDUSTRY SINCE 1919

BUTTERFLY VALVE

DIMENSIONS IN
INCHES [MILLIMETERS]



The Butterfly Valve is designed for discharging dry bulk materials from a hopper into a mixer or other vessel below.

The Butterfly Valve includes:

- Sanitary aluminum body for light weight and corrosion resistance.
- Sanitary food-grade resilient seat made of molded white neoprene rubber for tight seal.
- Steel shaft for durability.
- 2 1/2" bore X 8" stroke air cylinder operated with 120VAC electric solenoid valve.
- Standard round discharge collar for easy connection of nylon sleeve to mixer inlet.
- Optional 8 X 3/8" bolt-mounted flange discharge attachments available including:
 - Flexible hose for movable discharge.
 - Stationary spout for permanent connections.
 - Swivel spout for two or more discharge positions.
 - Wye spout to direct flow from two hoppers into one mixer below.
 - Inverted wye spout with gate to direct flow from one hopper into two mixers below.

Specifications

Pressure Rating: 15 psig

Discharge Size: 10" & 12"

Weight:

10" 60 lbs. (27 kg) with operator

12" 70 lbs. (32 kg) with operator

Dimensions in Inches [Millimeters]

SIZE	A	B	C	D	E [☆]
10"	10 [254]	13 1/2 [343]	14 1/2 [368]	14 [356]	12 1/2 [305]
12"	12 [305]	15 1/2 [394]	16 1/2 [419]	16 [406]	14 1/2 [368]

FEATURE	STANDARD	OPTIONAL
Discharge Disk	Aluminum	304 Stainless Steel
Position Sensors	N/A	Limit Switches or Proximity Switches
Discharge Connection	Sleeve Collar	Flange Mounted Attachments

THE FRED D. PFENING COMPANY
MANUFACTURERS OF
MATERIAL HANDLING, PROOFING,
AND LIQUID METERING SYSTEMS
Visit us at www.pfening.com

1075 WEST FIFTH AVENUE
COLUMBUS, OHIO 43212
PH. (614) 294-5361
FAX (614) 294-1633
email: sales@pfening.com

SPECIFY TO ORDER:

- PFENING BUTTERFLY VALVE
- SIZE, EITHER 10" OR 12"
- EITHER WITH OR WITHOUT OPERATOR