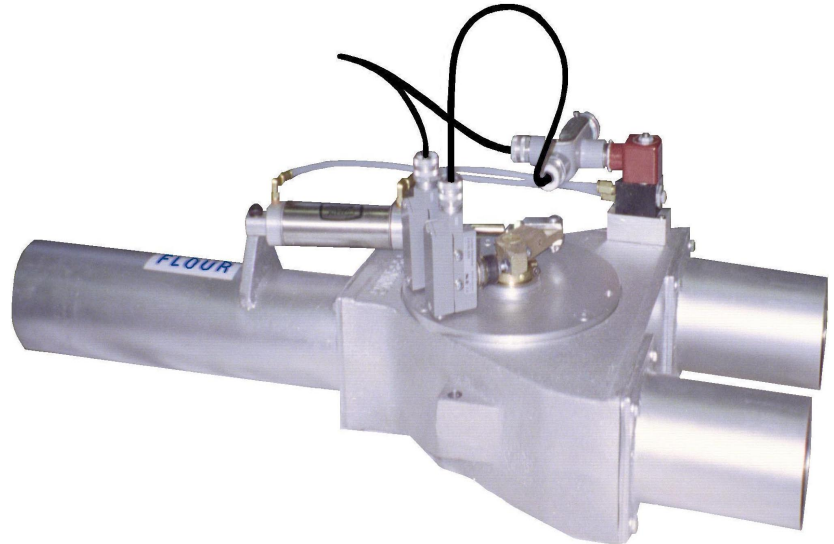
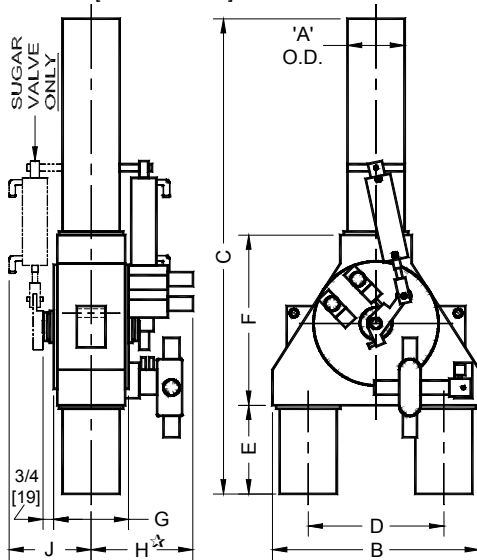




THE FRED D. PFENING COMPANY
DEDICATED TO THE BAKING
INDUSTRY SINCE 1919

3-WAY DIVERTER VALVE

DIMENSIONS IN
INCHES [MILLIMETERS]



☆ Dimensions for Flour & Sugar differ

The 3-Way Diverter Valve is designed for switching flow in a conveying line from one line to another. It is also called a line diverter, wye diverter or tube selector.

Specifications

Pressure Rating: 15 psig

Tube O.D.: 3" to 5"

Weight:

3" 35 lbs. (16 kg)

4" 55 lbs. (25 kg)

5" 70 lbs. (32 kg)

The 3-Way Diverter Valve includes:

- Aluminum body for light weight and corrosion resistance.
- Sanitary, smooth interior with no rubber parts in product zone.
- Standard bronze diverter vane, stainless steel vane available.
- All metal, tightly machined, sanitary construction.
- Air cylinder operated with 120VAC electric solenoid valve and limit switches for position feedback to control system (electrical components pre-wired to a color-coded harness for easy installation).

DIMENSIONS IN INCHES [MILLIMETERS]:

SIZE	A	B	C	D	E	F	G	H [☆] (Flour)	H [☆] (Sugar)	J (Sugar Only)
3"	3 [76]	11 1/4 [286]	31 3/4 [806]	7 3/8 [187]	6 1/4 [159]	10 1/2 [267]	4 3/8 [111]	7 1/4 [184]	9 1/4 [235]	5 3/8 [137]
4"	4 [102]	14 3/4 [375]	33 1/2 [851]	9 1/2 [241]	6 1/4 [159]	12 [305]	5 1/4 [133]	7 5/8 [194]	9 5/8 [245]	5 3/4 [146]
5"	5 [127]	18 1/4 [464]	40 5/8 [1032]	12 [305]	12 1/4 [311]	13 [330]	6 1/2 [165]	8 1/4 [210]	10 1/4 [260]	6 3/8 [162]

VANE	FLOUR VALVE	SUGAR VALVE
Edges	Square	Beveled
Clearance	.001"-.003"	.005"-.008"

FEATURE	STANDARD	OPTIONAL
Construction	Aluminum	304 Stainless Steel
Deflector Vane	Bronze	304 Stainless Steel
Position Sensors	Limit Switches	Proximity Switches

THE FRED D. PFENING COMPANY
MANUFACTURERS OF
MATERIAL HANDLING, PROOFING,
AND LIQUID METERING SYSTEMS
Visit us at www.pfening.com

1075 WEST FIFTH AVENUE
COLUMBUS, OHIO 43212
PH. (614) 294-5361
FAX (614) 294-1633
email: sales@pfening.com

SPECIFY TO ORDER:

- PFENING 3-WAY DIVERTER VALVE
- EITHER FLOUR OR SUGAR
- TUBE SIZE (3" to 5" O.D.)
- DESIRED OPTIONS